



Air Conditioning & Heating

GSX13

SPLIT SYSTEM AIR CONDITIONER

13 SEER / R-410A

1½ TO 5 TONS

COOLING CAPACITY
18,000 - 60,000 BTU/H

Standard Features

- R-410A chlorine-free refrigerant
- Energy-efficient compressor
- Factory-installed filter dryer
- Copper tube/enhanced aluminum fin coil
- Service valves with sweat connections and easy-access gauge ports
- Contactor with lug connection
- Ground lug connection
- AHRI Certified; ETL Listed

Cabinet Features

- Goodman® brand louvered sound control top design
- Steel louver coil guard
- Heavy-gauge galvanized-steel cabinet
- Attractive Architectural Gray powder-paint finish with 500-hour salt-spray approval
- Top and side maintenance access
- Single-panel access to controls with space provided for field-installed accessories
- When properly anchored, meets the 2001 Florida Building Code unit integrity requirements for hurricane-type winds (Anchor bracket kits available.)



Contents

Nomenclature	2
Product Specifications	3
Expanded Cooling Data	4
AHRI Performance Ratings	24
Wiring Diagrams	37
Dimensions	40
Accessories	40



* Complete warranty details available from your local dealer or at www.goodmanmfg.com. To receive the 10-Year Parts Limited Warranty, online registration must be completed within 60 days of installation. Online registration is not required in California or Quebec.



NOMENCLATURE

	G	S	X	13	036	1	*	*
	1	2	3	4,5	6,7,8	9	10	11
Brand	G Goodman® (Standard Feature Set Models)						Engineering * Minor Revision	
Product Category	S Split System						Engineering * Major Revision	
Unit Type	X Condenser R-410A Z Heat Pump R-410A						Electrical	
							1	208/230 V, 1 Phase, 60 Hz
							3	208/230 V, 3 Phase, 60 Hz
							4	460 V, 3 Phase, 60 Hz
							5	380/415 V, 3 Phase, 50 Hz
Efficiency	13 13 SEER 14 14 SEER 16 16 SEER						Nominal Capacity	
							018	1½ Tons
							024	2 Tons
							030	2½ Tons
							036	3 Tons
* Neither used for order entry or inventory management.								

SPECIFICATIONS

	GSX13 0181B*	GSX13 0181C*	GSX13 0241B*	GSX13 0301B*	GSX13 0361B*	GSX13 0421B*	GSX13 0481A*	GSX13 0481B*	GSX13 0601A*	GSX13 0601B*
CAPACITIES										
Nominal Cooling (BTU/h)	18,000	18,000	24,000	30,000	36,000	42,000	48,000	48,000	60,000	60,000
SEER / EER	13 / 11	13 / 11	13 / 11	13 / 11	13 / 11	13 / 11	13 / 11	13 / 11	13 / 11	13 / 11
Decibels	72	73	72	73	74	75	76	76	73	77
COMPRESSOR										
RLA	9.0	6.7	13.5	12.8	16.9	17.9	19.8	19.9	26.4	25.0
LRA	48	40	58.3	64	79	112	109	109	134	134
CONDENSER FAN MOTOR										
Horsepower	1/6	1/6	1/6	1/6	1/6	1/4	1/4	1/4	1/4	1/4
FLA	1.1	1.1	1.1	1.1	1.1	1.5	1.5	1.5	1.5	1.5
REFRIGERATION SYSTEM										
Refrigerant Line Size ¹										
Liquid Line Size ("O.D.)	3/8"	3/8"	3/8"	3/8"	3/8"	3/8"	3/8"	3/8"	3/8"	3/8"
Suction Line Size ("O.D.)	3/4"	3/4"	3/4"	3/4"	7/8"	1 1/8"	1 1/8"	1 1/8"	1 1/8"	1 1/8"
Refrigerant Connection Size										
Liquid Valve Size ("O.D.)	3/8"	3/8"	3/8"	3/8"	3/8"	3/8"	3/8"	3/8"	3/8"	3/8"
Suction Valve Size ("O.D.) ^{4 5}	3/4"	3/4"	3/4"	3/4"	3/4" ⁴	7/8" ⁵	7/8" ⁵	7/8" ⁵	7/8" ⁵	7/8" ⁵
Valve Type	Sweat	Sweat	Sweat	Sweat	Sweat	Sweat	Sweat	Sweat	Sweat	Sweat
Refrigerant Charge	69	71	76	78	92	121	166	125	184	122
Shipped with Orifice Size	0.051	0.051	0.057	0.059	0.068	0.076	0.080	0.080	0.092	0.086
ELECTRICAL DATA										
Voltage-Hz / Phase	208/230-60/1		208/230-60/1		208/230-60/1		208/230-60/1		208/230-60/1	
Minimum Circuit Ampacity ²	12.3	9.5	18.0	17.1	21.8	23.9	26.3	26.3	34.5	32.8
Max. Overcurrent Protection ³	20 amps	15 amps	30 amps	30 amps	35 amps	40 amps	45 amps	45 amps	60 amps	50 amps
Min / Max Volts	197/253	197/253	197/253	197/253	197/253	197/253	197/253	197/253	197/253	197/253
Electrical Conduit Size	1/2" or 3/4"	1/2" or 3/4"	1/2" or 3/4"	1/2" or 3/4"	1/2" or 3/4"	1/2" or 3/4"	1/2" or 3/4"	1/2" or 3/4"	1/2" or 3/4"	1/2" or 3/4"
SHIP WEIGHT (LBS)	149	135	151	152	197	194	225	195	240	200

¹ Line sizes denoted for 25' line sets, tested and rated in accordance with AHRI Standard 210/240. For other line-set lengths or sizes, refer to the installation & Operating instructions and/or the long line-set guidelines.

² Wire size should be determined in accordance with National Electrical Codes; extensive wire runs will require larger wire sizes

³ Must use time-delay fuses or HACR-type circuit breakers of the same size as noted.

⁴ Installer will need to supply 3/4" to 7/8" adapters for suction line connections.

⁵ Installer will need to supply 3/8" to 1 1/8" adapters for suction line connections.

NOTES

- Always check the S&R plate for electrical data on the unit being installed.
- Unit is charged with refrigerant for 15' of 3/8" liquid line. System charge must be adjusted per Installation Instructions Final Charge Procedure.

EXPANDED COOLING DATA — GSX130181B* / CA*F1824*6**

IDB	AIRFLOW	OUTDOOR AMBIENT TEMPERATURE																									
		65°F				75°F				85°F				95°F				105°F				115°F					
		59	63	67	71	59	63	67	71	59	63	67	71	59	63	67	71	59	63	67	71	59	63	67	71		
70	675	MBh	17.6	18.3	20.0	-	17.2	17.9	19.6	-	16.8	17.4	19.1	-	16.4	17.0	18.6	-	15.6	16.2	17.7	-	14.4	15.0	16.4	-	
		S/T	0.72	0.60	0.42	-	0.75	0.63	0.43	-	0.77	0.64	0.44	-	0.79	0.66	0.46	-	0.82	0.69	0.48	-	0.83	0.69	0.48	-	
	600	ΔT	17	15	11	-	18	15	12	-	18	15	12	-	18	15	12	-	17	15	11	-	16	14	11	-	
		kW	1.26	1.29	1.33	-	1.36	1.38	1.43	-	1.44	1.47	1.52	-	1.51	1.54	1.59	-	1.57	1.61	1.66	-	1.63	1.66	1.72	-	
	525	Amps	4.6	4.7	4.9	-	5.0	5.1	5.3	-	5.4	5.6	5.8	-	5.8	6.0	6.2	-	6.2	6.3	6.6	-	6.6	6.7	7.0	-	
		Hi PR	213	230	242	-	239	258	272	-	272	293	309	-	310	334	352	-	349	375	396	-	385	415	438	-	
	75	675	MBh	17.9	18.5	20.0	21.5	17.5	18.0	19.5	21.0	17.1	17.6	19.1	20.5	16.7	17.2	18.6	20.0	15.9	16.3	17.7	19.0	14.7	15.1	16.4	17.6
			S/T	0.82	0.73	0.56	0.36	0.85	0.76	0.58	0.37	0.87	0.78	0.59	0.38	0.90	0.81	0.61	0.39	0.93	0.84	0.63	0.41	0.94	0.84	0.64	0.41
		600	ΔT	20	18	15	10	20	19	15	11	20	19	15	11	20	19	15	11	20	19	15	11	19	17	14	10
			kW	1.27	1.30	1.34	1.38	1.37	1.40	1.44	1.48	1.45	1.48	1.53	1.58	1.52	1.56	1.61	1.66	1.59	1.62	1.67	1.73	1.64	1.68	1.73	1.79
		525	Amps	4.7	4.8	4.9	5.1	5.1	5.2	5.3	5.5	5.5	5.6	5.8	6.0	5.9	6.0	6.2	6.5	6.3	6.4	6.6	6.9	6.6	6.8	7.0	7.3
			Hi PR	216	232	245	255	242	260	275	287	275	296	313	326	313	337	356	371	352	379	400	418	389	419	442	461
75		675	MBh	17.4	17.9	19.4	20.8	17.0	17.5	19.0	20.3	16.6	17.1	18.5	19.9	16.2	16.7	18.1	19.4	15.4	15.8	17.2	18.4	14.3	14.7	15.9	17.1
			S/T	0.78	0.70	0.53	0.34	0.81	0.73	0.55	0.35	0.83	0.74	0.56	0.36	0.86	0.77	0.58	0.37	0.89	0.80	0.60	0.39	0.90	0.80	0.61	0.39
		600	ΔT	21	19	16	11	21	19	16	11	21	19	16	11	21	20	16	11	21	19	16	11	20	18	15	10
			kW	1.26	1.29	1.33	1.37	1.36	1.38	1.43	1.47	1.44	1.47	1.52	1.56	1.51	1.54	1.59	1.65	1.57	1.61	1.66	1.71	1.63	1.66	1.72	1.77
		525	Amps	4.6	4.7	4.9	5.1	5.0	5.1	5.3	5.5	5.4	5.6	5.8	6.0	5.8	6.0	6.2	6.4	6.2	6.3	6.6	6.8	6.6	6.7	7.0	7.2
			Hi PR	213	230	242	253	239	258	272	284	272	293	309	323	310	334	352	368	349	375	396	414	386	415	438	457
	75	675	MBh	16.1	16.5	17.9	19.2	15.7	16.2	17.5	18.8	15.3	15.8	17.1	18.3	15.0	15.4	16.7	17.9	14.2	14.6	15.8	17.0	13.2	13.5	14.7	15.7
			S/T	0.75	0.68	0.51	0.33	0.78	0.70	0.53	0.34	0.80	0.72	0.54	0.35	0.83	0.74	0.56	0.36	0.86	0.77	0.58	0.37	0.87	0.78	0.59	0.38
		600	ΔT	21	20	16	11	22	20	16	11	22	20	16	11	22	20	16	11	21	20	16	11	20	18	15	10
			kW	1.23	1.26	1.30	1.34	1.32	1.35	1.39	1.44	1.41	1.43	1.48	1.53	1.48	1.51	1.55	1.61	1.54	1.57	1.62	1.67	1.59	1.62	1.67	1.73
		525	Amps	4.5	4.6	4.8	4.9	4.9	5.0	5.2	5.3	5.3	5.4	5.6	5.8	5.7	5.8	6.0	6.2	6.0	6.2	6.4	6.6	6.4	6.5	6.8	7.0
			Hi PR	207	223	235	245	232	250	264	275	264	284	300	313	301	324	342	357	338	364	385	401	374	402	425	443
75		675	MBh	10.2	10.8	11.8	12.6	10.8	11.4	12.5	13.3	11.2	11.9	13.0	13.8	11.7	12.5	13.6	14.5	12.3	13.1	14.3	15.2	12.7	13.5	14.8	15.7
			S/T	0.45	0.42	0.35	0.25	0.48	0.44	0.37	0.27	0.50	0.46	0.39	0.29	0.52	0.48	0.41	0.31	0.54	0.50	0.43	0.33	0.56	0.52	0.45	0.35
		600	ΔT	10	9	7	5	11	10	8	6	11	10	8	6	11	10	8	6	10	9	7	5	9	8	6	4
			kW	0.35	0.37	0.42	0.47	0.40	0.43	0.48	0.53	0.46	0.49	0.54	0.59	0.51	0.54	0.59	0.64	0.57	0.60	0.65	0.70	0.62	0.65	0.70	0.75
		525	Amps	2.5	2.6	2.8	2.9	2.8	2.9	3.1	3.2	3.0	3.1	3.3	3.4	3.2	3.3	3.4	3.5	3.3	3.4	3.5	3.6	3.4	3.5	3.6	3.7
			Hi PR	102	108	118	126	108	114	125	133	112	119	130	138	117	125	136	145	123	131	143	152	127	135	148	157

Shaded area reflects ACCA (TVA) conditions

Amperes = outdoor unit amps (comp. + fan)
kW = Total system power

EXPANDED COOLING DATA — GSX130181B* / CA*F1824*6** (CONT.)

IDB	AIRFLOW	OUTDOOR AMBIENT TEMPERATURE												ENTERING INDOOR WET BULB TEMPERATURE												
		65°F				75°F				85°F				95°F				105°F				115°F				
		59	63	67	71	59	63	67	71	59	63	67	71	59	63	67	71	59	63	67	71	59	63	67	71	
80	675	MBh	18.3	18.7	19.9	21.3	17.8	18.2	19.5	20.8	17.4	17.8	19.0	20.3	17.0	17.4	18.5	19.8	16.1	16.5	17.6	18.8	14.9	15.3	16.3	17.4
		S/T	0.90	0.84	0.69	0.51	0.93	0.88	0.71	0.53	0.96	0.90	0.73	0.55	1.00	0.93	0.75	0.56	1.00	0.96	0.78	0.58	1.00	0.97	0.79	0.59
	ΔT	22	21	19	15	23	22	19	15	23	22	19	15	23	22	19	15	22	20	17	14	20	20	18	14	
	kW	1.28	1.31	1.35	1.39	1.38	1.41	1.45	1.50	1.46	1.49	1.54	1.59	1.54	1.57	1.62	1.67	1.60	1.63	1.69	1.74	1.65	1.69	1.75	1.80	
	Amps	4.7	4.8	5.0	5.2	5.1	5.2	5.4	5.6	5.5	5.7	5.9	6.1	5.9	6.1	6.3	6.5	6.3	6.5	6.7	6.9	6.7	6.9	7.1	7.4	
	Hi PR	218	234	247	258	244	263	278	290	278	299	316	329	316	341	360	375	356	383	405	422	393	423	447	466	
	Lo PR	107	114	124	132	113	120	131	140	118	125	137	145	123	131	143	153	129	138	150	160	134	142	155	166	
	600	MBh	17.7	18.1	19.4	20.7	17.3	17.7	18.9	20.2	16.9	17.3	18.5	19.7	16.5	16.8	18.0	19.2	15.7	16.0	17.1	18.3	14.5	14.8	15.8	16.9
	S/T	0.86	0.81	0.66	0.49	0.89	0.83	0.68	0.51	0.91	0.86	0.70	0.52	0.94	0.88	0.72	0.54	0.98	0.92	0.75	0.56	0.99	0.92	0.75	0.56	
	ΔT	23	22	19	16	24	23	20	16	24	23	20	16	24	23	20	16	23	22	20	16	22	21	18	15	
kW	1.27	1.30	1.34	1.38	1.37	1.40	1.44	1.49	1.45	1.48	1.53	1.58	1.52	1.56	1.61	1.66	1.59	1.62	1.67	1.73	1.64	1.68	1.73	1.79		
Amps	4.7	4.8	4.9	5.1	5.1	5.2	5.3	5.5	5.5	5.6	5.8	6.0	5.9	6.0	6.2	6.5	6.3	6.4	6.6	6.9	6.6	6.8	7.0	7.3		
Hi PR	216	232	245	255	242	260	275	287	275	296	313	326	313	337	356	371	352	379	401	418	389	419	443	462		
Lo PR	106	113	123	131	112	119	130	139	116	124	135	144	122	130	142	151	128	136	149	158	133	141	154	164		
525	MBh	16.4	16.7	17.9	19.1	16.0	16.3	17.4	18.6	15.6	15.9	17.0	18.2	15.2	15.6	16.6	17.8	14.5	14.8	15.8	16.9	13.4	13.7	14.6	15.6	
S/T	0.83	0.78	0.63	0.47	0.86	0.80	0.65	0.49	0.88	0.83	0.67	0.50	0.91	0.85	0.69	0.52	0.94	0.88	0.72	0.54	0.95	0.89	0.73	0.54		
ΔT	24	23	20	16	24	23	20	16	24	23	20	16	24	23	20	16	24	23	20	16	22	21	19	15		
kW	1.24	1.27	1.31	1.35	1.34	1.36	1.41	1.45	1.42	1.45	1.49	1.54	1.49	1.52	1.57	1.62	1.55	1.58	1.63	1.69	1.60	1.64	1.69	1.74		
Amps	4.5	4.7	4.8	5.0	4.9	5.0	5.2	5.4	5.3	5.5	5.7	5.9	5.7	5.9	6.0	6.3	6.1	6.2	6.4	6.7	6.4	6.6	6.8	7.1		
Hi PR	209	225	238	248	235	252	267	278	267	287	303	316	304	327	345	360	342	368	388	405	378	406	429	448		
Lo PR	103	109	119	127	109	116	126	134	113	120	131	140	119	126	138	147	124	132	144	154	129	137	149	159		

85	675	MBh	18.6	18.9	19.8	21.2	18.1	18.5	19.4	20.7	17.7	18.1	18.9	20.2	17.3	17.6	18.4	19.7	16.4	16.7	17.5	18.7	15.2	15.5	16.2	17.3
		S/T	0.94	0.91	0.82	0.67	0.98	0.94	0.85	0.69	1.00	0.97	0.87	0.71	1.00	1.00	0.90	0.73	1.00	1.00	0.94	0.76	1.00	1.00	0.94	0.77
	ΔT	24	23	22	19	24	24	22	19	24	24	22	19	24	24	23	20	22	23	22	19	21	21	21	18	
	kW	1.29	1.32	1.36	1.40	1.39	1.42	1.46	1.51	1.47	1.51	1.55	1.60	1.55	1.58	1.63	1.69	1.61	1.65	1.70	1.76	1.67	1.70	1.76	1.82	
	Amps	4.8	4.9	5.0	5.2	5.1	5.3	5.4	5.7	5.6	5.7	5.9	6.1	6.0	6.1	6.3	6.6	6.4	6.5	6.7	7.0	6.8	6.9	7.2	7.4	
	Hi PR	220	237	250	261	247	265	280	292	281	302	319	333	320	344	363	379	360	387	409	426	397	427	451	471	
	Lo PR	108	115	126	134	114	122	133	141	119	126	138	147	125	133	145	154	131	139	152	162	135	144	157	167	
	600	MBh	18.0	18.4	19.3	20.5	17.6	18.0	18.8	20.1	17.2	17.5	18.4	19.6	16.8	17.1	17.9	19.1	15.9	16.2	17.0	18.2	14.8	15.0	15.8	16.8
	S/T	0.90	0.87	0.78	0.64	0.93	0.90	0.81	0.66	0.96	0.92	0.83	0.68	0.99	0.95	0.86	0.70	1.00	0.99	0.89	0.72	1.00	1.00	0.90	0.73	
	ΔT	25	24	23	20	25	25	23	20	25	25	23	20	25	25	24	20	24	25	23	20	23	23	22	19	
kW	1.28	1.31	1.35	1.39	1.38	1.41	1.45	1.50	1.46	1.49	1.54	1.59	1.54	1.57	1.62	1.67	1.60	1.63	1.69	1.74	1.65	1.69	1.75	1.80		
Amps	4.7	4.8	5.0	5.2	5.1	5.2	5.4	5.6	5.5	5.7	5.9	6.1	5.9	6.1	6.3	6.5	6.3	6.5	6.7	6.9	6.7	6.9	7.1	7.4		
Hi PR	218	234	247	258	244	263	278	290	278	299	316	329	316	341	360	375	356	383	405	422	393	423	447	466		
Lo PR	107	114	124	132	113	120	131	140	118	125	137	145	123	131	143	153	129	138	150	160	134	142	155	166		
525	MBh	16.6	17.0	17.8	19.0	16.3	16.6	17.4	18.5	15.9	16.2	16.9	18.1	15.5	15.8	16.5	17.6	14.7	15.0	15.7	16.8	13.6	13.9	14.5	15.5	
S/T	0.87	0.84	0.76	0.61	0.90	0.87	0.78	0.64	0.92	0.89	0.80	0.65	0.95	0.92	0.83	0.67	0.99	0.95	0.86	0.70	1.00	0.96	0.87	0.70		
ΔT	25	25	24	20	26	25	24	21	26	25	24	21	26	25	24	21	25	25	24	20	24	24	23	19		
kW	1.25	1.28	1.32	1.36	1.35	1.37	1.42	1.46	1.43	1.46	1.50	1.55	1.50	1.53	1.58	1.63	1.56	1.59	1.65	1.70	1.61	1.65	1.70	1.76		
Amps	4.6	4.7	4.9	5.0	5.0	5.1	5.2	5.4	5.4	5.5	5.7	5.9	5.8	5.9	6.1	6.3	6.1	6.3	6.5	6.7	6.5	6.7	6.9	7.2		
Hi PR	211	227	240	250	237	255	269	281	269	290	306	319	307	330	349	364	345	372	392	409	382	411	434	452		
Lo PR	104	110	121	128	110	117	127	136	114	121	132	141	120	127	139	148	126	134	146	155	130	138	151	161		

Amperage = outdoor unit amps (comp.+fan)
kW = Total system power

Shaded area reflects AHRI conditions

IDB: Entering Indoor Dry Bulb Temperature
High and low pressures are measured at the liquid and suction service valves.

EXPANDED COOLING DATA — GSX130181C* / CA*F1824*6**

IDB	AIRFLOW	OUTDOOR AMBIENT TEMPERATURE												ENTERING INDOOR WET BULB TEMPERATURE													
		65°F				75°F				85°F				95°F				105°F				115°F					
		59	63	67	71	59	63	67	71	59	63	67	71	59	63	67	71	59	63	67	71	59	63	67	71		
70	675	MBh	17.8	18.5	20.3	-	17.4	18.1	19.8	-	17.0	17.6	19.3	-	16.6	17.2	18.8	-	15.8	16.3	17.9	-	14.6	15.1	16.6	-	
		S/T	0.75	0.62	0.43	-	0.77	0.65	0.45	-	0.79	0.66	0.46	-	0.82	0.68	0.47	-	0.85	0.71	0.49	-	0.86	0.72	0.50	-	
	600	ΔT	18	16	12	-	18	16	12	-	18	16	12	-	19	16	12	-	18	16	12	-	17	15	11	-	
		kW	1.26	1.28	1.32	-	1.34	1.37	1.41	-	1.42	1.45	1.49	-	1.49	1.52	1.56	-	1.55	1.58	1.63	-	1.60	1.63	1.68	-	
	525	/anos	10.8	10.9	11.0	-	11.1	11.2	11.4	-	11.5	11.6	11.8	-	11.8	12.0	12.1	-	12.2	12.3	12.5	-	12.5	12.6	12.8	-	
		Hi PR	209	225	238	-	235	253	267	-	267	287	303	-	304	327	346	-	342	368	389	-	378	407	430	-	
	75	675	Lo PR	106	113	124	-	112	120	131	-	117	124	136	-	123	131	143	-	129	137	149	-	133	142	155	-
			MBh	17.3	17.9	19.7	-	16.9	17.5	19.2	-	16.5	17.1	18.7	-	16.1	16.7	18.3	-	15.3	15.9	17.4	-	14.2	14.7	16.1	-
		600	S/T	0.71	0.59	0.41	-	0.74	0.62	0.43	-	0.76	0.63	0.44	-	0.78	0.65	0.45	-	0.81	0.68	0.47	-	0.82	0.68	0.47	-
			ΔT	19	16	12	-	19	17	13	-	19	17	13	-	19	17	13	-	19	16	12	-	18	15	12	-
		525	kW	1.25	1.27	1.31	-	1.33	1.36	1.40	-	1.41	1.44	1.48	-	1.48	1.51	1.55	-	1.53	1.57	1.61	-	1.58	1.62	1.67	-
			/anos	10.8	10.9	11.0	-	11.1	11.2	11.3	-	11.5	11.6	11.7	-	11.8	11.9	12.1	-	12.1	12.3	12.4	-	12.5	12.6	12.8	-
70		675	Hi PR	207	223	235	-	232	250	264	-	264	284	300	-	301	324	342	-	339	364	385	-	374	403	425	-
			Lo PR	105	112	122	-	111	118	129	-	116	123	134	-	122	129	141	-	127	136	148	-	132	140	153	-
		600	MBh	16.0	16.6	18.1	-	15.6	16.2	17.7	-	15.2	15.8	17.3	-	14.9	15.4	16.9	-	14.1	14.6	16.0	-	13.1	13.6	14.9	-
			S/T	0.69	0.57	0.40	-	0.71	0.59	0.41	-	0.73	0.61	0.42	-	0.75	0.63	0.44	-	0.78	0.65	0.45	-	0.79	0.66	0.46	-
		525	ΔT	19	17	13	-	19	17	13	-	19	17	13	-	20	17	13	-	19	17	13	-	18	16	12	-
			kW	1.22	1.24	1.28	-	1.30	1.33	1.37	-	1.38	1.41	1.45	-	1.44	1.47	1.52	-	1.50	1.53	1.58	-	1.55	1.58	1.63	-
	75	675	/anos	10.7	10.7	10.9	-	11.0	11.1	11.2	-	11.3	11.5	11.6	-	11.7	11.8	11.9	-	12.0	12.1	12.3	-	12.3	12.4	12.6	-
			Hi PR	201	216	228	-	225	243	256	-	256	276	291	-	292	314	332	-	329	354	373	-	363	391	412	-
		600	Lo PR	102	109	119	-	108	115	125	-	112	119	130	-	118	125	137	-	124	131	144	-	128	136	148	-
			MBh	18.14	18.67	20.21	21.69	17.71	18.24	19.74	21.19	17.29	17.81	19.27	20.68	16.87	17.37	18.80	20.18	16.03	16.50	17.86	19.17	14.85	15.29	16.55	17.76
		525	S/T	0.85	0.76	0.57	0.37	0.88	0.79	0.60	0.38	0.90	0.81	0.61	0.39	0.93	0.83	0.63	0.41	0.97	0.86	0.65	0.42	0.97	0.87	0.66	0.42
			ΔT	21	19	16	11	21	20	16	11	21	20	16	11	21	20	16	11	21	19	16	11	20	18	15	10
75		675	kW	1.26	1.29	1.33	1.36	1.35	1.38	1.42	1.46	1.43	1.46	1.50	1.55	1.50	1.53	1.58	1.63	1.56	1.59	1.64	1.69	1.61	1.64	1.69	1.75
			/anos	10.8	10.9	11.1	11.2	11.2	11.3	11.4	11.6	11.6	11.7	11.8	12.0	11.9	12.0	12.2	12.4	12.2	12.4	12.6	12.8	12.6	12.7	12.9	13.1
		600	Hi PR	211	227	240	250	237	255	269	281	270	290	306	320	307	331	349	364	346	372	393	410	382	411	434	453
			Lo PR	108	114	125	133	114	121	132	141	118	126	137	146	124	132	144	153	130	138	151	161	134	143	156	166
		525	MBh	17.6	18.1	19.6	21.1	17.2	17.7	19.2	20.6	16.8	17.3	18.7	20.1	16.4	16.9	18.3	19.6	15.6	16.0	17.3	18.6	14.4	14.8	16.1	17.2
			S/T	0.81	0.72	0.55	0.35	0.84	0.75	0.57	0.37	0.86	0.77	0.58	0.37	0.89	0.79	0.60	0.39	0.92	0.82	0.62	0.40	0.93	0.83	0.63	0.40
	75	675	ΔT	22	20	16	11	22	20	17	12	22	20	17	12	22	21	17	12	22	20	17	11	21	19	15	11
			kW	1.26	1.28	1.32	1.35	1.34	1.37	1.41	1.45	1.42	1.45	1.49	1.54	1.49	1.52	1.57	1.61	1.55	1.58	1.63	1.68	1.60	1.63	1.68	1.73
		600	/anos	10.8	10.9	11.0	11.2	11.1	11.2	11.4	11.6	11.5	11.6	11.8	12.0	11.8	12.0	12.1	12.4	12.2	12.3	12.5	12.7	12.5	12.6	12.9	13.1
			Hi PR	209	225	238	248	235	253	267	278	267	287	303	316	304	327	346	360	342	368	389	406	378	407	430	448
		525	Lo PR	106	113	124	132	112	120	131	139	117	124	136	145	123	131	143	152	129	137	149	159	133	142	155	165
			MBh	16.3	16.7	18.1	19.4	15.9	16.3	17.7	19.0	15.5	16.0	17.3	18.5	15.1	15.6	16.8	18.1	14.4	14.8	16.0	17.2	13.3	13.7	14.8	15.9
75		675	S/T	0.78	0.70	0.53	0.34	0.81	0.72	0.55	0.35	0.83	0.74	0.56	0.36	0.86	0.77	0.58	0.37	0.89	0.79	0.60	0.39	0.90	0.80	0.61	0.39
			ΔT	22	20	17	12	22	21	17	12	23	21	17	12	23	21	17	12	23	21	17	12	21	19	16	11
		600	kW	1.23	1.25	1.29	1.32	1.31	1.34	1.38	1.42	1.39	1.42	1.46	1.50	1.45	1.48	1.53	1.58	1.51	1.54	1.59	1.64	1.56	1.59	1.64	1.69
			/anos	10.7	10.8	10.9	11.1	11.0	11.1	11.3	11.4	11.4	11.5	11.7	11.8	11.7	11.8	12.0	12.2	12.0	12.2	12.3	12.6	12.3	12.5	12.7	12.9
		525	Hi PR	203	218	231	241	228	245	259	270	259	279	294	307	295	317	335	350	332	357	377	393	367	395	417	435
			Lo PR	103	110	120	128	109	116	127	135	113	121	132	140	119	127	138	147	125	133	145	154	129	137	150	160

IDB: Entering Indoor Dry Bulb Temperature
 High and low pressures are measured at the liquid and suction service valves.
 Shaded area reflects ACCA (TVA) conditions
 kW = Total system power
 Amps = outdoor unit amps (comp.+fan)

EXPANDED COOLING DATA — GSX130181C* / CA*F1824*6** (CONT.)

IDB	AIRFLOW	OUTDOOR AMBIENT TEMPERATURE												ENTERING INDOOR WET BULB TEMPERATURE													
		65°F				75°F				85°F				95°F				105°F				115°F					
		59	63	67	71	59	63	67	71	59	63	67	71	59	63	67	71	59	63	67	71	59	63	67	71		
80	675	MBh	18.46	18.86	20.15	21.54	18.03	18.42	19.68	21.04	17.60	17.98	19.21	20.54	17.17	17.55	18.75	20.04	16.31	16.67	17.81	19.04	15.11	15.44	16.50	17.63	
		S/T	0.93	0.87	0.71	0.53	0.96	0.90	0.74	0.55	1.00	0.93	0.76	0.56	1.00	0.96	0.78	0.58	1.00	1.00	0.81	0.60	1.00	1.00	0.82	0.61	
		Δ T	23	22	20	16	24	23	20	16	24	23	20	16	23	23	20	16	22	23	20	16	21	21	18	15	
	600	kW	1.27	1.30	1.34	1.38	1.36	1.39	1.43	1.47	1.44	1.47	1.52	1.56	1.51	1.54	1.59	1.64	1.57	1.60	1.65	1.71	1.62	1.66	1.71	1.76	
		/anos	10.9	11.0	11.1	11.3	11.2	11.3	11.5	11.7	11.6	11.7	11.9	12.1	11.9	12.1	12.3	12.5	12.3	12.4	12.6	12.8	12.6	12.8	13.0	13.2	
		Hi PR	213	230	243	253	240	258	272	284	272	293	310	323	310	334	353	368	349	376	397	414	386	415	438	457	
	525	Lo PR	109	116	126	134	115	122	133	142	119	127	139	148	125	133	145	155	131	140	152	162	136	144	158	168	
		MBh	17.9	18.3	19.6	20.9	17.5	17.9	19.1	20.4	17.1	17.5	18.7	19.9	16.7	17.0	18.2	19.5	15.8	16.2	17.3	18.5	14.7	15.0	16.0	17.1	
		S/T	0.89	0.83	0.68	0.51	0.92	0.86	0.70	0.52	0.94	0.88	0.72	0.54	0.97	0.91	0.74	0.56	1.00	0.95	0.77	0.58	1.00	0.96	0.78	0.58	
	85	675	Δ T	24	23	20	16	25	24	21	16	25	24	21	16	25	24	21	17	24	24	21	16	22	22	19	15
			kW	1.26	1.29	1.33	1.37	1.35	1.38	1.42	1.46	1.43	1.46	1.50	1.55	1.50	1.53	1.58	1.63	1.56	1.59	1.64	1.69	1.61	1.64	1.69	1.75
			/anos	10.8	10.9	11.1	11.2	11.2	11.3	11.4	11.6	11.6	11.7	11.8	12.0	11.9	12.0	12.2	12.4	12.2	12.4	12.6	12.8	12.6	12.7	12.9	13.1
600		Hi PR	211	227	240	251	237	255	270	281	270	290	307	320	307	331	349	364	346	372	393	410	382	411	434	453	
		Lo PR	108	114	125	133	114	121	132	141	118	126	137	146	124	132	144	153	130	138	151	161	134	143	156	166	
		MBh	16.5	16.9	18.1	19.3	16.2	16.5	17.6	18.9	15.8	16.1	17.2	18.4	15.4	15.7	16.8	18.0	14.6	14.9	16.0	17.1	13.5	13.8	14.8	15.8	
525		S/T	0.86	0.80	0.65	0.49	0.89	0.83	0.68	0.51	0.91	0.85	0.69	0.52	0.94	0.88	0.72	0.54	0.97	0.91	0.74	0.56	0.98	0.92	0.75	0.56	
		Δ T	25	24	21	17	25	24	21	17	25	24	21	17	25	24	21	17	25	24	21	17	23	22	19	16	
		kW	1.24	1.26	1.30	1.33	1.32	1.35	1.39	1.43	1.40	1.43	1.47	1.51	1.47	1.50	1.54	1.59	1.52	1.55	1.60	1.65	1.57	1.60	1.65	1.71	
85		675	/anos	10.7	10.8	11.0	11.1	11.0	11.2	11.3	11.5	11.4	11.5	11.7	11.9	11.8	11.9	12.0	12.2	12.1	12.2	12.4	12.6	12.4	12.5	12.7	13.0
			Hi PR	205	221	233	243	230	248	261	273	262	282	297	310	298	321	339	353	335	361	381	397	370	399	421	439
			Lo PR	104	111	121	129	110	117	128	136	115	122	133	142	120	128	140	149	126	134	146	156	130	139	151	161
	600	MBh	18.78	19.15	20.05	21.39	18.34	18.70	19.58	20.89	17.91	18.25	19.12	20.40	17.47	17.81	18.65	19.90	16.60	16.92	17.72	18.90	15.37	15.67	16.41	17.51	
		S/T	0.98	0.94	0.85	0.69	1.00	0.98	0.88	0.71	1.00	1.00	0.90	0.73	1.00	1.00	0.93	0.76	1.00	1.00	0.97	0.79	1.00	1.00	0.98	0.79	
		Δ T	25	25	23	20	25	25	23	20	24	25	24	20	24	24	24	21	23	23	23	20	21	21	22	19	
	525	kW	1.28	1.31	1.35	1.39	1.37	1.40	1.44	1.49	1.45	1.48	1.53	1.57	1.52	1.55	1.60	1.65	1.58	1.62	1.67	1.72	1.63	1.67	1.72	1.78	
		/anos	10.9	11.0	11.2	11.3	11.3	11.4	11.5	11.7	11.6	11.8	11.9	12.1	12.0	12.1	12.3	12.5	12.3	12.5	12.7	12.9	12.7	12.8	13.0	13.3	
		Hi PR	216	232	245	256	242	260	275	287	275	296	313	326	313	337	356	371	353	379	401	418	390	419	443	462	
	600	Lo PR	110	117	127	136	116	123	135	143	120	128	140	149	127	135	147	156	133	141	154	164	137	146	159	170	
		MBh	18.2	18.6	19.5	20.8	17.8	18.2	19.0	20.3	17.4	17.7	18.6	19.8	17.0	17.3	18.1	19.3	16.1	16.4	17.2	18.4	14.9	15.2	15.9	17.0	
		S/T	0.93	0.90	0.81	0.66	0.96	0.93	0.84	0.68	0.99	0.95	0.86	0.70	1.00	0.99	0.89	0.72	1.00	1.00	0.92	0.75	1.00	1.00	0.93	0.75	
525	Δ T	26	26	24	21	26	26	24	21	26	26	24	21	26	26	25	21	25	25	24	21	23	23	23	20		
	kW	1.27	1.30	1.34	1.38	1.36	1.39	1.43	1.47	1.44	1.47	1.52	1.56	1.51	1.54	1.59	1.64	1.57	1.60	1.65	1.71	1.62	1.66	1.71	1.76		
	/anos	10.9	11.0	11.1	11.3	11.2	11.3	11.5	11.7	11.6	11.7	11.9	12.1	11.9	12.1	12.3	12.5	12.3	12.4	12.6	12.8	12.6	12.8	13.0	13.2		
600	Hi PR	213	230	243	253	240	258	272	284	272	293	310	323	310	334	353	368	349	376	397	414	386	415	438	457		
	Lo PR	109	116	126	134	115	122	133	142	119	127	139	148	125	133	145	155	131	140	152	162	136	144	158	168		
	MBh	16.8	17.2	18.0	19.2	16.4	16.8	17.6	18.7	16.0	16.4	17.1	18.3	15.7	16.0	16.7	17.8	14.9	15.2	15.9	16.9	13.8	14.0	14.7	15.7		
525	S/T	0.90	0.87	0.78	0.63	0.93	0.90	0.81	0.66	0.95	0.92	0.83	0.67	0.98	0.95	0.86	0.70	1.00	0.99	0.89	0.72	1.00	0.99	0.90	0.73		
	Δ T	26	26	25	21	27	26	25	22	27	26	25	22	27	27	25	22	26	26	25	21	24	24	23	20		
	kW	1.25	1.27	1.31	1.34	1.33	1.36	1.40	1.44	1.41	1.44	1.48	1.53	1.48	1.51	1.55	1.60	1.53	1.57	1.61	1.66	1.58	1.62	1.67	1.72		
600	/anos	10.8	10.9	11.0	11.2	11.1	11.2	11.3	11.5	11.5	11.6	11.7	11.9	11.8	11.9	12.1	12.3	12.1	12.3	12.4	12.7	12.4	12.6	12.8	13.0		
	Hi PR	207	223	235	245	232	250	264	275	264	284	300	313	301	324	342	357	339	364	385	401	374	403	425	443		
	Lo PR	105	112	122	130	111	118	129	138	116	123	134	143	122	129	141	150	127	135	148	158	132	140	153	163		

IDB: Entering Indoor Dry Bulb Temperature
 High and low pressures are measured at the liquid and suction service valves.
 Shaded area reflects AHRI conditions
 Amps = outdoor unit amps (comp. + fan)
 kW = Total system power

EXPANDED COOLING DATA — GSX130241B* / CA*F1824*6B*

IDB	AIRFLOW	OUTDOOR AMBIENT TEMPERATURE												ENTERING INDOOR WET BULB TEMPERATURE											
		65°F				75°F				85°F				95°F				105°F				115°F			
		59	63	67	71	59	63	67	71	59	63	67	71	59	63	67	71	59	63	67	71	59	63	67	71
70	MBh	21.1	21.8	23.9	-	20.6	21.3	23.4	-	20.1	20.8	22.8	-	19.6	20.3	22.3	-	18.6	19.3	21.1	-	17.3	17.9	19.6	-
	S/T	0.67	0.56	0.39	-	0.70	0.58	0.40	-	0.72	0.60	0.41	-	0.74	0.62	0.43	-	0.77	0.64	0.44	-	0.77	0.65	0.45	-
	ΔT	19	16	12	-	19	16	12	-	19	16	12	-	19	16	13	-	19	16	12	-	18	15	12	-
	kW	1.68	1.70	1.74	-	1.77	1.79	1.83	-	1.84	1.87	1.92	-	1.91	1.94	1.99	-	1.97	2.01	2.05	-	2.02	2.06	2.11	-
	/anos	5.7	5.8	6.0	-	6.1	6.3	6.5	-	6.7	6.8	7.1	-	7.1	7.3	7.5	-	7.6	7.8	8.0	-	8.0	8.2	8.5	-
	Hi PR	209	225	237	-	234	252	266	-	267	287	303	-	304	327	345	-	342	368	388	-	377	406	429	-
	Lo PR	100	107	116	-	106	113	123	-	110	117	128	-	116	123	134	-	121	129	141	-	125	133	146	-
	MBh	22.8	23.7	25.9	-	22.3	23.1	25.3	-	21.8	22.6	24.7	-	21.2	22.0	24.1	-	20.2	20.9	22.9	-	18.7	19.4	21.2	-
	S/T	0.70	0.58	0.40	-	0.72	0.61	0.42	-	0.74	0.62	0.43	-	0.77	0.64	0.44	-	0.80	0.66	0.46	-	0.80	0.67	0.46	-
	ΔT	18	16	12	-	19	16	12	-	19	16	12	-	19	16	12	-	18	16	12	-	17	15	11	-
800	kW	1.71	1.73	1.77	-	1.80	1.82	1.87	-	1.88	1.91	1.95	-	1.95	1.98	2.03	-	2.01	2.04	2.09	-	2.06	2.10	2.15	-
	/anos	5.8	6.0	6.2	-	6.3	6.5	6.7	-	6.9	7.0	7.3	-	7.3	7.5	7.8	-	7.8	8.0	8.3	-	8.3	8.5	8.7	-
	Hi PR	215	232	245	-	242	260	275	-	275	296	312	-	313	337	356	-	352	379	400	-	389	419	442	-
	Lo PR	103	110	120	-	109	116	127	-	114	121	132	-	119	127	138	-	125	133	145	-	129	137	150	-
	MBh	23.5	24.4	26.7	-	23.0	23.8	26.1	-	22.4	23.2	25.5	-	21.9	22.7	24.8	-	20.8	21.5	23.6	-	19.3	20.0	21.9	-
	S/T	0.73	0.61	0.42	-	0.76	0.63	0.44	-	0.78	0.65	0.45	-	0.80	0.67	0.47	-	0.83	0.70	0.48	-	0.84	0.70	0.49	-
	ΔT	18	15	12	-	18	15	12	-	18	15	12	-	18	16	12	-	18	15	12	-	17	14	11	-
	kW	1.71	1.74	1.78	-	1.81	1.84	1.88	-	1.89	1.92	1.97	-	1.96	1.99	2.04	-	2.02	2.06	2.11	-	2.08	2.11	2.16	-
	/anos	5.9	6.0	6.2	-	6.4	6.5	6.7	-	6.9	7.1	7.3	-	7.4	7.6	7.8	-	7.9	8.1	8.3	-	8.3	8.5	8.8	-
	Hi PR	217	234	247	-	244	263	277	-	278	299	315	-	316	340	359	-	356	383	404	-	393	423	446	-
Lo PR	104	111	121	-	110	117	128	-	115	122	133	-	120	128	140	-	126	134	147	-	131	139	152	-	

700	MBh	21.4	22.1	23.9	25.6	20.9	21.6	23.3	25.0	20.4	21.0	22.8	24.4	19.9	20.5	22.2	23.8	18.9	19.5	21.1	22.7	17.5	18.1	19.6	21.0
	S/T	0.77	0.69	0.52	0.33	0.79	0.71	0.54	0.35	0.81	0.73	0.55	0.35	0.84	0.75	0.57	0.37	0.87	0.78	0.59	0.38	0.88	0.79	0.60	0.38
	ΔT	22	20	16	11	22	20	16	11	22	20	16	11	22	20	17	11	22	20	16	11	22	20	19	15
	kW	1.69	1.71	1.75	1.79	1.78	1.80	1.84	1.89	1.86	1.88	1.93	1.98	1.93	1.96	2.00	2.05	1.99	2.02	2.07	2.12	2.04	2.07	2.12	2.18
	/anos	5.7	5.9	6.1	6.3	6.2	6.3	6.6	6.8	6.7	6.9	7.1	7.4	7.2	7.4	7.6	7.9	7.7	7.8	8.1	8.4	8.1	8.3	8.6	8.9
	Hi PR	211	227	240	250	237	255	269	281	269	290	306	319	307	330	348	363	345	371	392	409	381	410	433	452
	Lo PR	101	108	118	125	107	114	124	132	111	118	129	138	117	124	136	145	122	130	142	151	127	135	147	157
	MBh	23.2	23.9	25.9	27.8	22.7	23.4	25.3	27.1	22.1	22.8	24.7	26.5	21.6	22.2	24.1	25.8	20.5	21.1	22.9	24.5	19.0	19.6	21.2	22.7
	S/T	0.79	0.71	0.54	0.35	0.82	0.74	0.56	0.36	0.84	0.76	0.57	0.37	0.87	0.78	0.59	0.38	0.90	0.81	0.61	0.39	0.91	0.82	0.62	0.40
	ΔT	21	20	16	11	21	20	16	11	21	20	16	11	22	20	16	11	21	20	16	11	20	18	15	10
800	kW	1.71	1.74	1.78	1.82	1.81	1.84	1.88	1.92	1.89	1.92	1.97	2.01	1.96	1.99	2.04	2.09	2.02	2.06	2.11	2.16	2.08	2.11	2.17	2.22
	/anos	5.9	6.0	6.2	6.5	6.4	6.5	6.7	7.0	6.9	7.1	7.3	7.6	7.4	7.6	7.8	8.1	7.9	8.1	8.3	8.6	8.3	8.5	8.8	9.2
	Hi PR	218	234	247	258	244	263	277	289	278	299	315	329	316	340	359	375	356	383	404	422	393	423	447	466
	Lo PR	104	111	121	129	110	117	128	136	115	122	133	142	120	128	140	149	126	134	147	156	131	139	152	161
	MBh	23.9	24.6	26.7	28.6	23.4	24.1	26.0	27.9	22.8	23.5	25.4	27.3	22.2	22.9	24.8	26.6	21.1	21.8	23.6	25.3	19.6	20.2	21.8	23.4
	S/T	0.83	0.75	0.56	0.36	0.86	0.77	0.58	0.38	0.89	0.79	0.60	0.39	0.91	0.82	0.62	0.40	0.95	0.85	0.64	0.41	0.96	0.86	0.65	0.42
	ΔT	20	19	15	11	21	19	16	11	21	19	16	11	21	19	16	11	20	19	15	11	19	18	14	10
	kW	1.72	1.75	1.79	1.83	1.82	1.85	1.89	1.93	1.90	1.93	1.98	2.03	1.97	2.01	2.06	2.11	2.04	2.07	2.12	2.18	2.09	2.13	2.18	2.24
	/anos	5.9	6.1	6.3	6.5	6.4	6.6	6.8	7.1	7.0	7.2	7.4	7.7	7.5	7.6	7.9	8.2	7.9	8.1	8.4	8.7	8.4	8.6	8.9	9.3
	Hi PR	220	236	250	260	247	265	280	292	280	302	319	332	319	344	363	378	359	387	408	426	397	427	451	470
Lo PR	105	112	122	130	111	119	129	138	116	123	135	143	122	129	141	150	127	136	148	158	132	140	153	163	

IDB: Entering Indoor Dry Bulb Temperature
 High and low pressures are measured at the liquid and suction service valves.
 Shaded area reflects ACCA (TVA) conditions
 Amps = outdoor unit amps (comp.+fan)
 kW = Total system power

EXPANDED COOLING DATA — GSX130241B* / CA*F1824*6B* (CONT.)

IDB	AIRFLOW	OUTDOOR AMBIENT TEMPERATURE												ENTERING INDOOR WET BULB TEMPERATURE													
		65°F				75°F				85°F				95°F				105°F				115°F					
		59	63	67	71	59	63	67	71	59	63	67	71	59	63	67	71	59	63	67	71	59	63	67	71		
80	700	MBh	21.8	22.3	23.8	25.5	21.3	21.8	23.3	24.9	20.8	21.3	22.7	24.3	20.3	20.7	22.2	23.7	19.3	19.7	21.0	22.5	17.9	18.2	19.5	20.8	
		S/T	0.84	0.79	0.64	0.48	0.87	0.82	0.67	0.50	0.89	0.84	0.68	0.51	0.92	0.86	0.70	0.53	0.96	0.90	0.73	0.55	0.97	0.91	0.74	0.55	
	800	Δ T	24	23	20	16	24	23	20	16	25	24	20	16	25	24	20	16	24	23	20	16	23	22	19	15	
		kW	1.70	1.72	1.76	1.80	1.79	1.81	1.86	1.90	1.87	1.90	1.94	1.99	1.94	1.97	2.02	2.07	2.00	2.03	2.08	2.13	2.05	2.08	2.14	2.19	
	900	/anos	5.8	5.9	6.1	6.3	6.3	6.4	6.6	6.9	6.8	7.0	7.2	7.5	7.3	7.4	7.7	8.0	7.7	7.9	8.2	8.5	8.2	8.4	8.7	9.0	
		HI PR	213	229	242	253	239	257	272	283	272	293	309	322	310	333	352	367	348	375	396	413	385	414	438	456	
	85	700	Lo PR	102	109	119	127	108	115	126	134	112	120	130	139	118	126	137	146	124	132	144	153	128	136	149	158
			MBh	23.6	24.1	25.8	27.6	23.1	23.6	25.2	26.9	22.5	23.0	24.6	26.3	22.0	22.5	24.0	25.7	20.9	21.3	22.8	24.4	19.3	19.8	21.1	22.6
		800	S/T	0.87	0.82	0.67	0.50	0.90	0.85	0.69	0.52	0.93	0.87	0.71	0.53	0.96	0.90	0.73	0.55	0.99	0.93	0.76	0.57	1.00	0.94	0.76	0.57
			Δ T	24	23	20	16	24	23	20	16	24	23	20	16	24	23	20	16	24	23	20	16	22	21	19	15
900		kW	1.72	1.75	1.79	1.83	1.82	1.85	1.89	1.93	1.90	1.93	1.98	2.03	1.97	2.01	2.06	2.11	2.04	2.07	2.12	2.18	2.09	2.13	2.18	2.24	
		/anos	5.9	6.1	6.3	6.5	6.4	6.6	6.8	7.1	7.0	7.2	7.4	7.7	7.5	7.6	7.9	8.2	7.9	8.1	8.4	8.7	8.4	8.6	8.9	9.3	
700		HI PR	220	236	250	260	247	265	280	292	280	302	319	332	319	344	363	379	359	387	408	426	397	427	451	470	
		Lo PR	105	112	123	130	111	119	129	138	116	123	135	143	122	129	141	150	127	136	148	158	132	140	153	163	
800		MBh	24.3	24.9	26.6	28.4	23.8	24.3	26.0	27.7	23.2	23.7	25.3	27.1	22.6	23.1	24.7	26.4	21.5	22.0	23.5	25.1	19.9	20.4	21.8	23.3	
		S/T	0.91	0.86	0.70	0.52	0.95	0.89	0.72	0.54	1.00	0.91	0.74	0.55	1.00	0.94	0.77	0.57	1.00	1.00	0.79	0.59	1.00	1.00	0.80	0.60	
900	Δ T	23	22	19	15	23	22	19	15	24	22	19	15	23	22	19	15	22	22	19	15	20	21	18	14		
	kW	1.73	1.76	1.80	1.84	1.83	1.86	1.90	1.95	1.91	1.94	1.99	2.04	1.99	2.02	2.07	2.12	2.05	2.08	2.14	2.19	2.10	2.14	2.19	2.25		
700	/anos	6.0	6.1	6.3	6.6	6.5	6.6	6.9	7.1	7.0	7.2	7.5	7.7	7.5	7.7	8.0	8.3	8.0	8.2	8.5	8.8	8.5	8.7	9.0	9.3		
	HI PR	222	239	252	263	249	268	283	295	283	305	322	336	323	347	367	382	363	390	412	430	401	431	456	475		
800	Lo PR	107	113	124	132	113	120	131	139	117	124	136	145	123	131	143	152	129	137	150	159	133	142	155	165		
	MBh	22.2	22.6	23.7	25.3	21.7	22.1	23.1	24.7	21.2	21.6	22.6	24.1	20.6	21.0	22.0	23.5	19.6	20.0	20.9	22.3	18.2	18.5	19.4	20.7		
900	S/T	0.88	0.85	0.77	0.62	0.91	0.88	0.80	0.65	0.94	0.90	0.82	0.66	0.97	0.93	0.84	0.68	1.00	0.97	0.87	0.71	1.00	0.98	0.88	0.71		
	Δ T	26	25	24	21	26	26	24	21	26	26	24	21	26	26	24	21	26	25	24	21	24	24	22	19		
700	kW	1.70	1.73	1.77	1.81	1.80	1.82	1.87	1.91	1.88	1.91	1.95	2.00	1.95	1.98	2.03	2.08	2.01	2.04	2.09	2.15	2.06	2.10	2.15	2.21		
	/anos	5.8	6.0	6.2	6.4	6.3	6.5	6.7	6.9	6.9	7.0	7.3	7.5	7.3	7.5	7.8	8.0	7.8	8.0	8.3	8.6	8.3	8.5	8.7	9.1		
800	HI PR	215	232	245	255	242	260	274	286	275	296	312	326	313	337	356	371	352	379	400	417	389	419	442	461		
	Lo PR	103	110	120	128	109	116	127	135	113	121	132	140	119	127	138	147	125	133	145	155	129	137	150	160		
900	MBh	24.0	24.5	25.7	27.4	23.5	23.9	25.1	26.8	22.9	23.4	24.5	26.1	22.4	22.8	23.9	25.5	21.2	21.7	22.7	24.2	19.7	20.1	21.0	22.4		
	S/T	0.91	0.88	0.80	0.65	0.95	0.91	0.82	0.67	0.97	0.94	0.85	0.69	1.00	0.97	0.87	0.71	1.00	1.00	0.91	0.74	1.00	1.00	0.91	0.74		
700	Δ T	25	25	23	20	26	25	24	21	26	25	24	21	26	25	24	21	24	25	24	20	23	23	22	19		
	kW	1.73	1.76	1.80	1.84	1.83	1.86	1.90	1.95	1.91	1.94	1.99	2.04	1.99	2.02	2.07	2.12	2.05	2.08	2.14	2.19	2.10	2.14	2.19	2.25		
800	/anos	6.0	6.1	6.3	6.6	6.5	6.6	6.9	7.1	7.0	7.2	7.5	7.7	7.5	7.7	8.0	8.3	8.0	8.2	8.5	8.8	8.5	8.7	9.0	9.3		
	HI PR	222	239	252	263	249	268	283	295	283	305	322	336	323	347	367	382	363	390	412	430	401	431	456	475		
900	Lo PR	107	113	124	132	113	120	131	139	117	124	136	145	123	131	143	152	129	137	150	159	133	142	155	165		
	MBh	24.8	25.2	26.4	28.2	24.2	24.7	25.8	27.6	23.6	24.1	25.2	26.9	23.0	23.5	24.6	26.2	21.9	22.3	23.4	24.9	20.3	20.7	21.6	23.1		
700	S/T	0.96	0.92	0.83	0.68	0.99	0.96	0.86	0.70	1.00	0.98	0.89	0.72	1.00	1.00	0.92	0.74	1.00	1.00	0.95	0.77	1.00	1.00	0.96	0.78		
	Δ T	24	24	23	20	25	24	23	20	24	24	23	20	24	24	23	20	22	23	23	20	21	21	21	18		
800	kW	1.74	1.77	1.81	1.85	1.84	1.87	1.91	1.96	1.92	1.96	2.00	2.05	2.00	2.03	2.08	2.14	2.06	2.10	2.15	2.21	2.12	2.15	2.21	2.27		
	/anos	6.1	6.2	6.4	6.6	6.5	6.7	6.9	7.2	7.1	7.3	7.5	7.8	7.6	7.8	8.0	8.4	8.1	8.3	8.6	8.9	8.6	8.8	9.1	9.4		
900	HI PR	224	241	255	266	251	271	286	298	286	308	325	339	326	351	370	386	366	394	416	434	405	436	460	480		
	Lo PR	108	114	125	133	114	121	132	141	118	126	137	146	124	132	144	154	130	138	151	161	135	143	156	166		

Amperes = outdoor unit amps (comp. + fan)
kW = Total system power

Shaded area reflects AHRI conditions

IDB: Entering Indoor Dry Bulb Temperature
High and low pressures are measured at the liquid and suction service valves.

EXPANDED COOLING DATA — GSX130301B* / CA*F3030*6B*

IDB	AIRFLOW	OUTDOOR AMBIENT TEMPERATURE																								
		65°F				75°F				85°F				95°F				105°F				115°F				
		59	63	67	71	59	63	67	71	59	63	67	71	59	63	67	71	59	63	67	71	59	63	67	71	
70	875	MBh	24.9	25.8	28.3	-	24.4	25.2	27.7	-	23.8	24.6	27.0	-	23.2	24.0	26.3	-	22.0	22.8	25.0	-	20.4	21.2	23.2	-
		S/T	0.69	0.58	0.40	-	0.72	0.60	0.42	-	0.74	0.61	0.43	-	0.76	0.63	0.44	-	0.79	0.66	0.46	-	0.80	0.66	0.46	-
	ΔT	18	16	12	-	18	16	12	-	18	16	12	-	19	16	12	-	18	16	12	-	17	15	11	-	
	kW	1.94	1.98	2.03	-	2.08	2.12	2.18	-	2.20	2.25	2.32	-	2.31	2.36	2.43	-	2.40	2.45	2.53	-	2.48	2.54	2.62	-	
	Amps	6.8	7.0	7.2	-	7.4	7.6	7.8	-	8.0	8.2	8.5	-	8.6	8.8	9.1	-	9.1	9.3	9.7	-	9.7	9.9	10.2	-	
	Hi PR	228	245	259	-	256	275	291	-	291	313	331	-	332	357	377	-	373	401	424	-	412	443	468	-	
	Lo PR	102	109	119	-	108	115	125	-	112	119	130	-	118	125	137	-	124	131	143	-	128	136	148	-	
	MBh	27.0	28.0	30.7	-	26.4	27.4	30.0	-	25.8	26.7	29.3	-	25.1	26.1	28.5	-	23.9	24.7	27.1	-	22.1	22.9	25.1	-	
	S/T	0.72	0.60	0.42	-	0.74	0.62	0.43	-	0.76	0.64	0.44	-	0.79	0.66	0.46	-	0.82	0.68	0.47	-	0.82	0.69	0.48	-	
	ΔT	18	15	12	-	18	16	12	-	18	16	12	-	18	16	12	-	18	16	12	-	17	15	11	-	
	kW	1.98	2.02	2.08	-	2.13	2.17	2.24	-	2.25	2.30	2.37	-	2.37	2.42	2.49	-	2.46	2.51	2.59	-	2.54	2.60	2.68	-	
	Amps	7.0	7.2	7.4	-	7.6	7.8	8.0	-	8.2	8.4	8.7	-	8.8	9.0	9.3	-	9.4	9.6	9.9	-	9.9	10.2	10.5	-	
Hi PR	235	253	267	-	264	284	300	-	300	323	341	-	342	368	388	-	384	414	437	-	425	457	483	-		
Lo PR	105	112	122	-	111	118	129	-	116	123	134	-	122	129	141	-	127	135	148	-	132	140	153	-		
MBh	27.8	28.8	31.6	-	27.2	28.2	30.9	-	26.5	27.5	30.1	-	25.9	26.8	29.4	-	24.6	25.5	27.9	-	22.8	23.6	25.9	-		
S/T	0.75	0.63	0.44	-	0.78	0.65	0.45	-	0.80	0.67	0.46	-	0.83	0.69	0.48	-	0.86	0.72	0.50	-	0.86	0.72	0.50	-		
ΔT	17	15	11	-	17	15	11	-	17	15	11	-	17	15	11	-	17	15	11	-	16	14	11	-		
kW	2.00	2.04	2.10	-	2.14	2.19	2.25	-	2.27	2.32	2.39	-	2.39	2.44	2.51	-	2.48	2.53	2.62	-	2.56	2.62	2.70	-		
Amps	7.1	7.2	7.5	-	7.7	7.8	8.1	-	8.3	8.5	8.8	-	8.9	9.1	9.4	-	9.5	9.7	10.0	-	10.0	10.3	10.6	-		
Hi PR	237	256	270	-	266	287	303	-	303	326	344	-	345	371	392	-	388	418	441	-	429	462	488	-		
Lo PR	106	113	124	-	112	120	131	-	117	124	136	-	123	131	143	-	129	137	149	-	133	142	155	-		

75	875	MBh	25.4	26.1	28.3	30.3	24.8	25.5	27.6	29.6	24.2	24.9	26.9	28.9	23.6	24.3	26.3	28.2	22.4	23.1	25.0	26.8	20.8	21.4	23.1	24.8
		S/T	0.79	0.70	0.53	0.34	0.82	0.73	0.55	0.36	0.84	0.75	0.57	0.36	0.86	0.77	0.58	0.38	0.90	0.80	0.61	0.39	0.90	0.81	0.61	0.39
	ΔT	21	19	16	11	21	20	16	11	21	20	16	11	21	20	16	11	21	19	16	11	20	18	15	10	
	kW	1.95	1.99	2.05	2.11	2.09	2.14	2.20	2.27	2.22	2.26	2.33	2.41	2.33	2.38	2.45	2.53	2.42	2.47	2.55	2.63	2.50	2.56	2.64	2.72	
	Amps	6.9	7.1	7.3	7.6	7.4	7.6	7.9	8.2	8.1	8.3	8.6	8.9	8.6	8.9	9.2	9.5	9.2	9.4	9.7	10.1	9.7	10.0	10.3	10.7	
	Hi PR	230	248	262	273	259	278	294	306	294	316	334	349	335	360	381	397	377	405	428	447	416	448	473	493	
	Lo PR	103	110	120	128	109	116	127	135	113	121	132	140	119	127	138	147	125	133	145	154	129	137	150	160	
	MBh	27.5	28.3	30.6	32.9	26.8	27.6	29.9	32.1	26.2	27.0	29.2	31.3	25.6	26.3	28.5	30.6	24.3	25.0	27.1	29.0	22.5	23.2	25.1	26.9	
	S/T	0.82	0.73	0.55	0.36	0.85	0.76	0.57	0.37	0.87	0.78	0.59	0.38	0.90	0.80	0.61	0.39	0.93	0.83	0.63	0.40	0.94	0.84	0.63	0.41	
	ΔT	21	19	16	11	21	19	16	11	21	19	16	11	21	19	16	11	21	19	16	11	19	18	15	10	
	kW	2.00	2.04	2.10	2.16	2.14	2.19	2.25	2.32	2.27	2.32	2.39	2.47	2.39	2.44	2.51	2.59	2.48	2.53	2.62	2.70	2.57	2.62	2.70	2.79	
	Amps	7.1	7.2	7.5	7.8	7.7	7.8	8.1	8.4	8.3	8.5	8.8	9.1	8.9	9.1	9.4	9.8	9.5	9.7	10.0	10.4	10.0	10.3	10.6	11.0	
Hi PR	238	256	270	282	267	287	303	316	303	326	344	359	345	372	392	409	388	418	441	460	429	462	488	509		
Lo PR	106	113	124	132	112	120	131	139	117	124	136	145	123	131	143	152	129	137	149	159	133	142	155	165		
MBh	28.3	29.1	31.5	33.9	27.6	28.5	30.8	33.1	27.0	27.8	30.1	32.3	26.3	27.1	29.3	31.5	25.0	25.8	27.9	29.9	23.2	23.9	25.8	27.7		
S/T	0.86	0.77	0.58	0.37	0.89	0.79	0.60	0.39	0.91	0.81	0.62	0.40	0.94	0.84	0.64	0.41	0.97	0.87	0.66	0.42	0.98	0.88	0.67	0.43		
ΔT	20	18	15	10	20	18	15	10	20	18	15	10	20	19	15	11	20	18	15	10	19	17	14	10		
kW	2.01	2.05	2.11	2.18	2.16	2.20	2.27	2.34	2.29	2.34	2.41	2.49	2.40	2.46	2.53	2.61	2.50	2.56	2.64	2.72	2.59	2.64	2.73	2.82		
Amps	7.1	7.3	7.6	7.8	7.7	7.9	8.2	8.5	8.4	8.6	8.9	9.2	9.0	9.2	9.5	9.9	9.6	9.8	10.1	10.5	10.1	10.4	10.7	11.1		
Hi PR	240	258	273	284	269	290	306	319	306	329	348	363	349	375	396	413	392	422	446	465	433	466	493	514		
Lo PR	107	114	125	133	114	121	132	140	118	126	137	146	124	132	144	153	130	138	151	161	134	143	156	166		

IDB: Entering Indoor Dry Bulb Temperature
 High and low pressures are measured at the liquid and suction service valves.
 Shaded area reflects ACCA (TVA) conditions
 Amps = outdoor unit amps (comp.+fan)
 kW = Total system power

EXPANDED COOLING DATA — GSX130301B* / CA*F3030*6B* (CONT.)

IDB	AIRFLOW	OUTDOOR AMBIENT TEMPERATURE												ENTERING INDOOR WET BULB TEMPERATURE											
		65°F				75°F				85°F				95°F				105°F				115°F			
		59	63	67	71	59	63	67	71	59	63	67	71	59	63	67	71	59	63	67	71	59	63	67	71
80	MBh	25.8	26.4	28.2	30.1	25.2	25.8	27.5	29.4	24.6	25.1	26.9	28.7	24.0	24.5	26.2	28.0	22.8	23.3	24.9	26.6	21.1	21.6	23.1	24.7
		S/T	0.86	0.81	0.66	0.49	0.90	0.84	0.68	0.51	0.92	0.86	0.70	0.52	0.95	0.89	0.72	0.54	0.98	0.92	0.75	0.56	0.99	0.93	0.76
	ΔT	23	22	20	16	24	23	20	16	24	23	20	16	24	23	20	16	24	23	20	16	22	21	18	15
		kW	1.97	2.01	2.07	2.13	2.11	2.15	2.22	2.29	2.24	2.28	2.35	2.43	2.35	2.40	2.47	2.55	2.44	2.49	2.57	2.66	2.52	2.58	2.66
	Amps	7.0	7.1	7.3	7.6	7.5	7.7	7.9	8.2	8.2	8.4	8.6	9.0	8.7	8.9	9.2	9.6	9.3	9.5	9.8	10.2	9.8	10.1	10.4	10.8
		Hi PR	233	250	264	276	261	281	297	310	297	320	338	352	338	364	384	401	381	410	432	451	420	452	478
	Lo PR	104	111	121	129	110	117	128	136	114	122	133	142	120	128	140	149	126	134	146	156	130	139	151	161
		MBh	28.0	28.6	30.5	32.6	27.3	27.9	29.8	31.9	26.7	27.2	29.1	31.1	26.0	26.6	28.4	30.4	24.7	25.3	27.0	28.8	22.9	23.4	25.0
	S/T	0.90	0.84	0.68	0.51	0.93	0.87	0.71	0.53	0.95	0.89	0.73	0.54	0.98	0.92	0.75	0.56	1.00	0.96	0.78	0.58	1.00	0.96	0.78	0.59
		ΔT	23	22	19	15	23	22	19	16	23	22	19	16	23	23	20	16	23	22	19	15	21	21	18
kW	2.01	2.05	2.12	2.18	2.16	2.20	2.27	2.34	2.29	2.34	2.41	2.49	2.40	2.46	2.53	2.61	2.50	2.56	2.64	2.72	2.59	2.64	2.73	2.82	
	Amps	7.1	7.3	7.6	7.8	7.7	7.9	8.2	8.5	8.4	8.6	8.9	9.2	9.0	9.2	9.5	9.9	9.6	9.8	10.1	10.5	10.1	10.4	10.7	11.1
Hi PR	240	258	273	284	269	290	306	319	306	330	348	363	349	375	396	413	392	422	446	465	433	466	493	514	
	Lo PR	107	114	125	133	114	121	132	140	118	126	137	146	124	132	144	153	130	138	151	161	134	143	156	166
MBh	28.8	29.4	31.4	33.6	28.1	28.7	30.7	32.8	27.5	28.1	30.0	32.1	26.8	27.4	29.3	31.3	25.5	26.0	27.8	29.7	23.6	24.1	25.7	27.5	
	S/T	0.94	0.88	0.72	0.54	1.00	0.91	0.74	0.56	1.00	0.94	0.76	0.57	1.00	0.97	0.79	0.59	1.00	1.00	0.82	0.61	1.00	1.00	0.82	0.62
ΔT	22	21	18	15	23	22	19	15	22	21	19	15	22	22	19	15	21	21	19	15	19	20	17	14	
	kW	2.03	2.07	2.13	2.20	2.18	2.22	2.29	2.36	2.31	2.36	2.43	2.51	2.42	2.48	2.55	2.64	2.52	2.58	2.66	2.74	2.61	2.66	2.75	2.84
Amps	7.2	7.4	7.6	7.9	7.8	8.0	8.2	8.6	8.5	8.7	9.0	9.3	9.1	9.3	9.6	10.0	9.6	9.9	10.2	10.6	10.2	10.5	10.8	11.2	
	Hi PR	242	261	275	287	272	293	309	322	309	333	351	367	352	379	400	417	396	426	450	470	438	471	498	519
Lo PR	109	116	126	134	115	122	133	142	119	127	138	147	125	133	145	155	131	140	152	162	136	144	158	168	

85	MBh	26.3	26.8	28.0	29.9	25.7	26.1	27.4	29.2	25.0	25.5	26.7	28.5	24.4	24.9	26.1	27.8	23.2	23.7	24.8	26.4	21.5	21.9	23.0	24.5
		S/T	0.91	0.87	0.79	0.64	0.94	0.91	0.82	0.66	0.96	0.93	0.84	0.68	0.99	0.96	0.86	0.70	1.00	0.99	0.90	0.73	1.00	1.00	0.91
	ΔT	25	25	23	20	25	25	24	20	25	25	24	20	25	25	24	21	24	25	23	20	23	23	22	19
		kW	1.98	2.02	2.08	2.15	2.13	2.17	2.24	2.31	2.25	2.30	2.37	2.45	2.37	2.42	2.49	2.57	2.46	2.51	2.59	2.68	2.54	2.60	2.68
	Amps	7.0	7.2	7.4	7.7	7.6	7.8	8.0	8.3	8.2	8.4	8.7	9.0	8.8	9.0	9.3	9.7	9.4	9.6	9.9	10.3	9.9	10.2	10.5	10.9
		Hi PR	235	253	267	279	264	284	300	313	300	323	341	356	342	368	388	405	384	414	437	456	425	457	483
	Lo PR	105	112	122	130	111	118	129	138	116	123	134	143	121	129	141	150	127	135	148	157	132	140	153	163
		MBh	28.5	29.0	30.4	32.4	27.8	28.3	29.7	31.7	27.1	27.7	29.0	30.9	26.5	27.0	28.3	30.1	25.1	25.6	26.8	28.6	23.3	23.7	24.9
	S/T	0.94	0.91	0.82	0.66	0.97	0.94	0.85	0.69	1.00	0.96	0.87	0.71	1.00	0.99	0.90	0.73	1.00	1.00	0.93	0.76	1.00	1.00	0.94	0.76
		ΔT	25	24	23	20	25	24	23	20	25	24	23	20	24	25	23	20	23	24	23	20	21	22	21
kW	2.03	2.07	2.13	2.20	2.18	2.22	2.29	2.36	2.31	2.36	2.43	2.51	2.42	2.48	2.55	2.64	2.52	2.58	2.66	2.74	2.61	2.66	2.75	2.84	
	Amps	7.2	7.4	7.6	7.9	7.8	8.0	8.2	8.6	8.5	8.7	9.0	9.3	9.1	9.3	9.6	10.0	9.6	9.9	10.2	10.6	10.2	10.5	10.8	11.2
Hi PR	242	261	275	287	272	293	309	322	309	333	351	367	352	379	400	417	396	426	450	470	438	471	498	519	
	Lo PR	109	116	126	134	115	122	133	142	119	127	138	147	125	133	145	155	131	140	152	162	136	144	158	168
MBh	29.3	29.9	31.3	33.4	28.6	29.2	30.6	32.6	27.9	28.5	29.8	31.8	27.3	27.8	29.1	31.1	25.9	26.4	27.7	29.5	24.0	24.5	25.6	27.3	
	S/T	0.98	0.95	0.86	0.70	1.00	0.98	0.89	0.72	1.00	1.00	0.91	0.74	1.00	1.00	0.94	0.76	1.00	1.00	0.98	0.79	1.00	1.00	0.98	0.80
ΔT	24	23	22	19	23	23	22	19	23	23	22	19	22	23	22	19	21	22	22	19	20	20	21	18	
	kW	2.04	2.08	2.15	2.21	2.19	2.24	2.31	2.38	2.33	2.37	2.45	2.53	2.44	2.49	2.57	2.66	2.54	2.60	2.68	2.77	2.63	2.69	2.77	2.86
Amps	7.3	7.4	7.7	8.0	7.9	8.1	8.3	8.6	8.5	8.8	9.0	9.4	9.1	9.4	9.7	10.0	9.7	10.0	10.3	10.7	10.3	10.6	10.9	11.3	
	Hi PR	245	263	278	290	275	296	312	326	312	336	355	370	356	383	404	422	400	431	455	474	442	476	503	524
Lo PR	110	117	127	136	116	123	135	143	120	128	140	149	126	135	147	156	133	141	154	164	137	146	159	170	

IDB: Entering Indoor Dry Bulb Temperature
 High and low pressures are measured at the liquid and suction service valves.
 Shaded area reflects AHRI conditions
 Amps = outdoor unit amps (comp.+fan)
 kW = Total system power

EXPANDED COOLING DATA — GSX130361B* / CA*F3636*6C

IDB	AIRFLOW	OUTDOOR AMBIENT TEMPERATURE																								
		65°F				75°F				85°F				95°F				105°F				115°F				
		59	63	67	71	59	63	67	71	59	63	67	71	59	63	67	71	59	63	67	71	59	63	67	71	
70	1350	MBh	34.3	35.5	38.9	-	33.5	34.7	38.0	-	32.7	33.9	37.1	-	31.9	33.1	36.2	-	30.3	31.4	34.4	-	28.1	29.1	31.9	-
		S/T	0.72	0.60	0.42	-	0.75	0.63	0.43	-	0.77	0.64	0.44	-	0.79	0.66	0.46	-	0.82	0.69	0.48	-	0.83	0.69	0.48	-
		ΔT	17	15	11	-	17	15	11	-	17	15	11	-	17	15	11	-	17	15	11	-	16	14	10	-
		kW	2.45	2.50	2.58	-	2.63	2.69	2.77	-	2.79	2.85	2.94	-	2.94	3.00	3.09	-	3.06	3.12	3.22	-	3.16	3.23	3.33	-
		Amps	8.8	9.0	9.3	-	9.6	9.8	10.1	-	10.4	10.7	11.0	-	11.1	11.4	11.8	-	11.9	12.2	12.6	-	12.6	12.9	13.4	-
	1200	Hi PR	234	252	266	-	262	282	298	-	298	321	339	-	340	366	386	-	382	411	434	-	422	454	480	-
		Lo PR	106	112	123	-	112	119	130	-	116	123	135	-	122	130	142	-	128	136	148	-	132	141	153	-
		MBh	33.3	34.5	37.8	-	32.5	33.7	36.9	-	31.7	32.9	36.1	-	31.0	32.1	35.2	-	29.4	30.5	33.4	-	27.3	28.3	31.0	-
		S/T	0.69	0.58	0.40	-	0.71	0.60	0.41	-	0.73	0.61	0.42	-	0.76	0.63	0.44	-	0.79	0.66	0.45	-	0.79	0.66	0.46	-
		ΔT	18	15	12	-	18	15	12	-	18	15	12	-	18	16	12	-	18	15	12	-	17	14	11	-
1050	kW	2.43	2.48	2.56	-	2.61	2.67	2.75	-	2.77	2.83	2.92	-	2.91	2.97	3.07	-	3.03	3.10	3.20	-	3.13	3.20	3.31	-	
	Amps	8.7	9.0	9.3	-	9.5	9.7	10.0	-	10.3	10.6	10.9	-	11.0	11.3	11.7	-	11.8	12.1	12.5	-	12.5	12.8	13.2	-	
	Hi PR	231	249	263	-	260	279	295	-	295	318	336	-	336	362	382	-	378	407	430	-	418	450	475	-	
	Lo PR	105	111	122	-	111	118	128	-	115	122	133	-	121	128	140	-	126	135	147	-	131	139	152	-	
	MBh	30.7	31.9	34.9	-	30.0	31.1	34.1	-	29.3	30.4	33.3	-	28.6	29.6	32.5	-	27.2	28.2	30.8	-	25.2	26.1	28.6	-	

IDB	AIRFLOW	OUTDOOR AMBIENT TEMPERATURE																								
		65°F				75°F				85°F				95°F				105°F				115°F				
		59	63	67	71	59	63	67	71	59	63	67	71	59	63	67	71	59	63	67	71	59	63	67	71	
75	1350	MBh	34.9	35.9	38.9	41.7	34.1	35.1	38.0	40.7	33.3	34.2	37.1	39.8	32.4	33.4	36.2	38.8	30.8	31.7	34.4	36.9	28.6	29.4	31.8	34.2
		S/T	0.82	0.74	0.56	0.36	0.85	0.76	0.58	0.37	0.87	0.78	0.59	0.38	0.90	0.81	0.61	0.39	0.94	0.84	0.63	0.41	0.94	0.84	0.64	0.41
		ΔT	20	18	15	10	20	18	15	10	20	18	15	10	20	18	15	10	20	18	15	10	18	17	14	10
		kW	2.47	2.52	2.60	2.68	2.66	2.71	2.79	2.88	2.82	2.88	2.97	3.06	2.96	3.02	3.12	3.22	3.08	3.15	3.25	3.36	3.19	3.26	3.36	3.47
		Amps	8.9	9.1	9.4	9.8	9.6	9.9	10.2	10.6	10.5	10.8	11.1	11.6	11.3	11.5	11.9	12.4	12.0	12.3	12.7	13.2	12.7	13.0	13.5	14.0
	1200	Hi PR	236	254	268	280	265	285	301	314	301	324	342	357	343	369	390	407	386	415	439	458	427	459	485	506
		Lo PR	107	114	124	132	113	120	131	139	117	125	136	145	123	131	143	152	129	137	150	160	133	142	155	165
		MBh	33.9	34.9	37.7	40.5	33.1	34.1	36.9	39.6	32.3	33.2	36.0	38.6	31.5	32.4	35.1	37.7	29.9	30.8	33.3	35.8	27.7	28.5	30.9	33.2
		S/T	0.78	0.70	0.53	0.34	0.81	0.73	0.55	0.35	0.83	0.75	0.56	0.36	0.86	0.77	0.58	0.37	0.89	0.80	0.60	0.39	0.90	0.81	0.61	0.39
		ΔT	20	19	15	11	21	19	16	11	21	19	16	11	21	19	16	11	20	19	15	11	19	18	14	10
1050	kW	2.45	2.50	2.58	2.66	2.63	2.69	2.77	2.86	2.79	2.85	2.94	3.04	2.94	3.00	3.09	3.20	3.06	3.12	3.22	3.33	3.16	3.23	3.33	3.44	
	Amps	8.8	9.0	9.3	9.7	9.6	9.8	10.1	10.5	10.4	10.7	11.0	11.5	11.1	11.4	11.8	12.3	11.9	12.2	12.6	13.1	12.6	12.9	13.4	13.9	
	Hi PR	234	252	266	277	262	282	298	311	298	321	339	354	340	366	386	403	382	411	434	453	422	454	480	501	
	Lo PR	106	112	123	131	112	119	130	138	116	123	135	144	122	130	142	151	128	136	148	158	132	141	153	163	
	MBh	31.3	32.2	34.8	37.4	30.5	31.4	34.0	36.5	29.8	30.7	33.2	35.6	29.1	29.9	32.4	34.8	27.6	28.4	30.8	33.0	25.6	26.3	28.5	30.6	

IDB: Entering Indoor Dry Bulb Temperature
 High and low pressures are measured at the liquid and suction service valves.
 Shaded area reflects ACCA (TVA) conditions
 Amps = outdoor unit amps (comp.+fan)
 kW = Total system power

EXPANDED COOLING DATA — GSX130361B* / CA*F3636*6C (CONT.)

IDB	AIRFLOW	OUTDOOR AMBIENT TEMPERATURE																									
		65°F				75°F				85°F				95°F				105°F				115°F					
		59	63	67	71	59	63	67	71	59	63	67	71	59	63	67	71	59	63	67	71	59	63	67	71		
80	1350	MBh	35.5	36.3	38.8	41.4	34.7	35.4	37.9	40.5	33.8	34.6	37.0	39.5	33.0	33.7	36.1	38.5	31.4	32.1	34.2	36.6	29.1	29.7	31.7	33.9	
		S/T	0.90	0.85	0.69	0.51	0.93	0.88	0.71	0.53	0.96	0.90	0.73	0.55	1.00	0.93	0.75	0.56	1.00	0.96	0.78	0.59	1.00	0.97	0.79	0.59	
	1200	ΔT	2.2	2.1	1.8	1.5	2.2	2.1	1.8	1.5	2.2	2.1	1.8	1.5	2.2	2.1	1.9	1.5	2.1	2.0	1.8	1.5	2.0	2.0	1.7	1.4	
		kW	2.49	2.54	2.62	2.70	2.68	2.73	2.82	2.91	2.84	2.90	2.99	3.09	2.98	3.05	3.15	3.25	3.11	3.17	3.28	3.38	3.21	3.28	3.39	3.50	
	1050	Amps	9.0	9.2	9.5	9.9	9.7	10.0	10.3	10.7	10.6	10.9	11.2	11.7	11.4	11.6	12.0	12.5	12.1	12.4	12.8	13.3	12.8	13.2	13.6	14.2	
		Hi PR	238	257	271	283	268	288	304	317	304	328	346	361	347	373	394	411	390	420	443	462	431	464	490	511	
	80	1350	Lo PR	108	115	125	133	114	121	132	141	118	126	137	146	124	132	144	154	130	139	151	161	135	143	157	167
			MBh	34.5	35.2	37.6	40.2	33.7	34.4	36.8	39.3	32.9	33.6	35.9	38.4	32.1	32.8	35.0	37.4	30.5	31.1	33.3	35.5	28.2	28.8	30.8	32.9
		1200	S/T	0.86	0.81	0.66	0.49	0.89	0.84	0.68	0.51	0.91	0.86	0.70	0.52	0.94	0.88	0.72	0.54	0.98	0.92	0.75	0.56	0.99	0.93	0.75	0.56
			ΔT	2.3	2.2	1.9	1.5	2.3	2.2	1.9	1.5	2.3	2.2	1.9	1.5	2.3	2.2	1.9	1.5	2.3	2.2	1.9	1.5	2.1	2.0	1.8	1.4
		1050	kW	2.47	2.52	2.60	2.68	2.66	2.71	2.79	2.88	2.82	2.88	2.97	3.06	2.96	3.02	3.12	3.22	3.08	3.15	3.25	3.36	3.19	3.26	3.36	3.47
			Amps	8.9	9.1	9.4	9.8	9.6	9.9	10.2	10.6	10.5	10.8	11.1	11.6	11.3	11.5	11.9	12.4	12.0	12.3	12.7	13.2	12.7	13.1	13.5	14.0
80		1350	Hi PR	236	254	268	280	265	285	301	314	301	324	342	357	343	369	390	407	386	415	439	458	427	459	485	506
			Lo PR	107	114	124	132	113	120	131	140	117	125	136	145	123	131	143	152	129	137	150	160	133	142	155	165
		1200	MBh	31.8	32.5	34.7	37.1	31.1	31.7	33.9	36.3	30.3	31.0	33.1	35.4	29.6	30.2	32.3	34.5	28.1	28.7	30.7	32.8	26.0	26.6	28.4	30.4
			S/T	0.83	0.78	0.63	0.47	0.86	0.81	0.66	0.49	0.88	0.83	0.67	0.50	0.91	0.85	0.69	0.52	0.94	0.89	0.72	0.54	0.95	0.89	0.73	0.54
		1050	ΔT	2.3	2.2	1.9	1.5	2.3	2.2	1.9	1.6	2.3	2.2	2.0	1.6	2.4	2.3	2.0	1.6	2.4	2.3	2.0	1.6	2.2	2.1	1.8	1.4
			kW	2.42	2.46	2.54	2.62	2.59	2.65	2.73	2.81	2.75	2.81	2.90	2.99	2.89	2.95	3.04	3.14	3.01	3.07	3.17	3.27	3.11	3.18	3.28	3.39
	80	1350	Amps	8.7	8.9	9.2	9.5	9.4	9.6	9.9	10.3	10.2	10.5	10.8	11.2	10.9	11.2	11.6	12.0	11.7	11.9	12.4	12.8	12.4	12.7	13.1	13.6
			Hi PR	229	246	260	271	257	277	292	305	292	315	332	346	333	358	378	395	375	403	426	444	414	445	470	490
		1200	Lo PR	104	110	120	128	109	116	127	135	114	121	132	141	119	127	139	148	125	133	145	155	129	138	150	160
			MBh	36.1	36.8	38.6	41.1	35.3	36.0	37.7	40.2	34.4	35.1	36.8	39.2	33.6	34.2	35.9	38.3	31.9	32.5	34.1	36.4	29.6	30.1	31.6	33.7
		1350	S/T	0.95	0.91	0.82	0.67	0.98	0.95	0.85	0.69	1.00	0.97	0.87	0.71	1.00	1.00	0.90	0.73	1.00	1.00	0.94	0.76	1.00	1.00	0.94	0.77
			ΔT	2.3	2.3	2.0	1.6	2.4	2.3	2.2	1.9	2.3	2.3	2.2	1.9	2.3	2.3	2.2	1.9	2.2	2.2	2.0	1.7	2.0	2.1	2.0	1.8
85		1350	kW	2.51	2.56	2.64	2.72	2.70	2.75	2.84	2.93	2.86	2.92	3.02	3.11	3.01	3.07	3.17	3.27	3.13	3.20	3.30	3.41	3.24	3.31	3.42	3.53
			Amps	9.1	9.3	9.6	10.0	9.8	10.1	10.4	10.8	10.7	11.0	11.4	11.8	11.5	11.8	12.2	12.6	12.2	12.5	13.0	13.5	13.0	13.3	13.8	14.3
		1200	Hi PR	241	259	274	285	270	291	307	320	307	331	349	364	350	377	398	415	394	424	448	467	435	468	495	516
			Lo PR	109	116	126	135	115	122	134	142	120	127	139	148	126	134	146	155	132	140	153	163	136	145	158	168
		1050	MBh	35.1	35.7	37.4	39.9	34.3	34.9	36.6	39.0	33.4	34.1	35.7	38.1	32.6	33.3	34.8	37.2	31.0	31.6	33.1	35.3	28.7	29.3	30.6	32.7
			S/T	0.90	0.87	0.79	0.64	0.93	0.90	0.81	0.66	0.96	0.92	0.83	0.68	0.99	0.95	0.86	0.70	1.00	0.99	0.89	0.73	1.00	1.00	0.90	0.73
	85	1350	ΔT	2.4	2.4	2.3	1.9	2.5	2.4	2.3	2.0	2.5	2.4	2.3	2.0	2.5	2.4	2.3	2.0	2.4	2.4	2.3	2.0	2.2	2.2	2.1	1.8
			kW	2.49	2.54	2.62	2.70	2.68	2.73	2.82	2.91	2.84	2.90	2.99	3.09	2.98	3.05	3.15	3.25	3.11	3.17	3.28	3.38	3.21	3.28	3.39	3.50
		1200	Amps	9.0	9.2	9.5	9.9	9.7	10.0	10.3	10.7	10.6	10.9	11.2	11.7	11.4	11.6	12.0	12.5	12.1	12.4	12.8	13.3	12.8	13.2	13.6	14.2
			Hi PR	238	257	271	283	268	288	304	317	304	328	346	361	347	373	394	411	390	420	443	462	431	464	490	511
		1050	Lo PR	108	115	125	133	114	121	132	141	118	126	137	146	124	132	144	154	130	139	151	161	135	143	157	167
			MBh	32.4	33.0	34.6	36.9	31.6	32.2	33.8	36.0	30.9	31.5	32.9	35.1	30.1	30.7	32.1	34.3	28.6	29.2	30.5	32.6	26.5	27.0	28.3	30.2
85		1350	S/T	0.87	0.84	0.76	0.61	0.90	0.87	0.78	0.64	0.92	0.89	0.80	0.65	0.95	0.92	0.83	0.67	0.99	0.95	0.86	0.70	1.00	0.96	0.87	0.71
			ΔT	2.5	2.4	2.3	2.0	2.5	2.5	2.3	2.0	2.5	2.5	2.3	2.0	2.5	2.5	2.3	2.0	2.5	2.4	2.3	2.0	2.3	2.3	2.2	1.9
		1200	kW	2.43	2.48	2.56	2.64	2.61	2.67	2.75	2.84	2.77	2.83	2.92	3.01	2.91	2.97	3.07	3.17	3.03	3.10	3.20	3.30	3.13	3.20	3.30	3.41
			Amps	8.7	9.0	9.3	9.6	9.5	9.7	10.0	10.4	10.3	10.6	10.9	11.3	11.0	11.3	11.7	12.2	11.8	12.1	12.5	13.0	12.5	12.8	13.2	13.8
		1050	Hi PR	231	249	263	274	260	279	295	308	295	318	335	350	336	362	382	399	378	407	430	448	418	450	475	495
			Lo PR	105	111	121	129	110	118	128	137	115	122	133	142	121	128	140	149	126	134	147	156	131	139	152	162

IDB	AIRFLOW	OUTDOOR AMBIENT TEMPERATURE																									
		65°F				75°F				85°F				95°F				105°F				115°F					
		59	63	67	71	59	63	67	71	59	63	67	71	59	63	67	71	59	63	67	71	59	63	67	71		
80	1350	MBh	35.5	36.3	38.8	41.4	34.7	35.4	37.9	40.5	33.8	34.6	37.0	39.5	33.0	33.7	36.1	38.5	31.4	32.1	34.2	36.6	29.1	29.7	31.7	33.9	
		S/T	0.90	0.85	0.69	0.51	0.93	0.88	0.71	0.53	0.96	0.90	0.73	0.55	1.00	0.93	0.75	0.56	1.00	0.96	0.78	0.59	1.00	0.97	0.79	0.59	
	1200	ΔT	2.2	2.1	1.8	1.5	2.2	2.1	1.8	1.5	2.2	2.1	1.8	1.5	2.2	2.1	1.9	1.5	2.1	2.0	1.8	1.5	2.0	2.0	1.7	1.4	
		kW	2.49	2.54	2.62	2.70	2.68	2.73	2.82	2.91	2.84	2.90	2.99	3.09	2.98	3.05	3.15	3.25	3.11	3.17	3.28	3.38	3.21	3.28	3.39	3.50	
	1050	Amps	9.0	9.2	9.5	9.9	9.7	10.0	10.3	10.7	10.6	10.9	11.2	11.7	11.4	11.6	12.0	12.5	12.1	12.4	12.8	13.3	12.8	13.2	13.6	14.2	
		Hi PR	238	257	271	283	268	288	304	317	304	328	346	361	347	373	394	411	390	420	443	462	431	464	490	511	
	80	1350	Lo PR	108	115	125	133	114	121	132	141	118	126	137	146	124	132	144	154	130	139	151	161	135	143	157	167
			MBh	34.5	35.2	37.6	40.2	33.7	34.4	36.8																	

EXPANDED COOLING DATA — GSX130421B* / CA*F3642*6B*

IDB	AIRFLOW	OUTDOOR AMBIENT TEMPERATURE																								
		65°F				75°F				85°F				95°F				105°F				115°F				
		59	63	67	71	59	63	67	71	59	63	67	71	59	63	67	71	59	63	67	71	59	63	67	71	
70	1225	MBh	35.1	36.4	39.9	-	34.3	35.6	39.0	-	33.5	34.7	38.0	-	32.7	33.9	37.1	-	31.0	32.2	35.2	-	28.8	29.8	32.7	-
		S/T	0.69	0.57	0.40	-	0.71	0.59	0.41	-	0.73	0.61	0.42	-	0.75	0.63	0.44	-	0.78	0.65	0.45	-	0.79	0.66	0.46	-
		ΔT	18	16	12	-	18	16	12	-	18	16	12	-	18	16	12	-	18	16	12	-	17	15	11	-
		kW	2.77	2.83	2.91	-	2.97	3.03	3.12	-	3.14	3.21	3.30	-	3.29	3.36	3.46	-	3.42	3.49	3.60	-	3.53	3.61	3.72	-
		Amps	10.5	10.7	11.0	-	11.3	11.6	11.9	-	12.3	12.5	13.0	-	13.1	13.4	13.8	-	13.9	14.3	14.7	-	14.7	15.1	15.6	-
		Hi PR	211	227	240	-	237	255	269	-	269	290	306	-	307	330	348	-	345	371	392	-	381	410	433	-
	1400	Lo PR	102	108	118	-	108	115	125	-	112	119	130	-	118	125	137	-	123	131	143	-	127	136	148	-
		MBh	38.1	39.4	43.2	-	37.2	38.5	42.2	-	36.3	37.6	41.2	-	35.4	36.7	40.2	-	33.6	34.9	38.2	-	31.2	32.3	35.4	-
		S/T	0.71	0.59	0.41	-	0.74	0.62	0.43	-	0.76	0.63	0.44	-	0.78	0.65	0.45	-	0.81	0.68	0.47	-	0.82	0.68	0.47	-
		ΔT	18	15	12	-	18	16	12	-	18	16	12	-	18	16	12	-	18	15	12	-	17	14	11	-
		kW	2.84	2.89	2.98	-	3.04	3.10	3.19	-	3.22	3.28	3.38	-	3.37	3.44	3.55	-	3.50	3.58	3.69	-	3.62	3.70	3.81	-
		Amps	10.7	11.0	11.4	-	11.6	11.9	12.3	-	12.6	12.9	13.3	-	13.5	13.8	14.2	-	14.3	14.7	15.1	-	15.2	15.5	16.0	-
1575	Hi PR	217	234	247	-	244	263	277	-	277	299	315	-	316	340	359	-	355	383	404	-	393	423	446	-	
	Lo PR	105	112	122	-	111	118	129	-	115	123	134	-	121	129	141	-	127	135	147	-	131	140	153	-	
	MBh	39.2	40.6	44.5	-	38.3	39.7	43.5	-	37.4	38.7	42.4	-	36.5	37.8	41.4	-	34.6	35.9	39.3	-	32.1	33.3	36.4	-	
	S/T	0.75	0.62	0.43	-	0.77	0.65	0.45	-	0.79	0.66	0.46	-	0.82	0.68	0.47	-	0.85	0.71	0.49	-	0.86	0.72	0.50	-	
	ΔT	17	15	11	-	17	15	11	-	17	15	11	-	17	15	11	-	17	15	11	-	16	14	11	-	
	kW	2.86	2.91	3.00	-	3.06	3.12	3.21	-	3.24	3.31	3.41	-	3.40	3.47	3.57	-	3.53	3.61	3.72	-	3.65	3.72	3.84	-	
75	1225	Amps	10.8	11.1	11.5	-	11.7	12.0	12.4	-	12.7	13.0	13.4	-	13.6	13.9	14.4	-	14.4	14.8	15.3	-	15.3	15.7	16.2	-
		Hi PR	213	229	242	252	239	257	272	283	272	293	309	322	310	333	352	367	348	375	396	413	385	414	437	456
		Lo PR	103	110	120	127	109	116	126	135	113	120	131	140	119	126	138	147	124	132	145	154	129	137	149	159
		MBh	38.7	39.8	43.1	46.3	37.8	38.9	42.1	45.2	36.9	38.0	41.1	44.1	36.0	37.1	40.1	43.1	34.2	35.2	38.1	40.9	31.7	32.6	35.3	37.9
		S/T	0.81	0.72	0.55	0.35	0.84	0.75	0.57	0.37	0.86	0.77	0.58	0.37	0.89	0.79	0.60	0.39	0.92	0.82	0.62	0.40	0.93	0.83	0.63	0.40
		ΔT	21	19	16	11	21	19	16	11	21	19	16	11	21	19	16	11	21	19	16	11	20	18	15	10
1400	kW	2.86	2.91	3.00	3.09	3.06	3.12	3.22	3.31	3.24	3.31	3.41	3.51	3.40	3.47	3.58	3.69	3.53	3.61	3.72	3.84	3.65	3.73	3.84	3.97	
	Amps	10.8	11.1	11.5	11.9	11.7	12.0	12.4	12.8	12.7	13.0	13.4	13.9	13.6	13.9	14.4	14.9	14.4	14.8	15.3	15.9	15.3	15.7	16.2	16.8	
	Hi PR	220	236	250	260	246	265	280	292	280	302	318	332	319	344	363	378	359	386	408	426	397	427	451	470	
	Lo PR	106	113	123	131	112	119	130	139	117	124	135	144	122	130	142	151	128	136	149	159	133	141	154	164	
	MBh	39.9	41.0	44.4	47.7	38.9	40.1	43.4	46.6	38.0	39.1	42.4	45.5	37.1	38.2	41.3	44.4	35.2	36.3	39.3	42.1	32.6	33.6	36.4	39.0	
	S/T	0.85	0.76	0.57	0.37	0.88	0.79	0.60	0.38	0.90	0.81	0.61	0.39	0.93	0.83	0.63	0.41	0.97	0.86	0.65	0.42	0.97	0.87	0.66	0.42	
1575	ΔT	20	18	15	10	20	18	15	10	20	18	15	10	20	19	15	10	20	18	15	10	19	17	14	10	
	kW	2.88	2.94	3.02	3.11	3.08	3.15	3.24	3.34	3.26	3.33	3.43	3.54	3.42	3.50	3.60	3.72	3.56	3.63	3.75	3.87	3.68	3.75	3.87	4.00	
	Amps	10.9	11.2	11.6	12.0	11.8	12.1	12.5	13.0	12.8	13.1	13.6	14.1	13.7	14.0	14.5	15.0	14.6	14.9	15.4	16.0	15.4	15.8	16.3	17.0	
	Hi PR	222	239	252	263	249	268	283	295	283	305	322	335	322	347	366	382	363	390	412	430	401	431	455	475	
	Lo PR	107	114	124	133	113	120	132	140	118	125	137	146	124	132	144	153	130	138	150	160	134	143	156	166	
	MBh	40.1	41.4	44.8	48.1	39.1	40.4	43.8	47.1	38.2	39.5	42.9	46.2	37.3	38.6	42.0	45.3	35.4	36.7	39.9	43.2	32.7	33.9	37.1	40.4	

IDB	AIRFLOW	OUTDOOR AMBIENT TEMPERATURE																								
		65°F				75°F				85°F				95°F				105°F				115°F				
		59	63	67	71	59	63	67	71	59	63	67	71	59	63	67	71	59	63	67	71	59	63	67	71	
70	1225	MBh	35.1	36.4	39.9	-	34.3	35.6	39.0	-	33.5	34.7	38.0	-	32.7	33.9	37.1	-	31.0	32.2	35.2	-	28.8	29.8	32.7	-
		S/T	0.69	0.57	0.40	-	0.71	0.59	0.41	-	0.73	0.61	0.42	-	0.75	0.63	0.44	-	0.78	0.65	0.45	-	0.79	0.66	0.46	-
		ΔT	18	16	12	-	18	16	12	-	18	16	12	-	18	16	12	-	18	16	12	-	17	15	11	-
		kW	2.77	2.83	2.91	-	2.97	3.03	3.12	-	3.14	3.21	3.30	-	3.29	3.36	3.46	-	3.42	3.49	3.60	-	3.53	3.61	3.72	-
		Amps	10.5	10.7	11.0	-	11.3	11.6	11.9	-	12.3	12.5	13.0	-	13.1	13.4	13.8	-	13.9	14.3	14.7	-	14.7	15.1	15.6	-
		Hi PR	211	227	240	-	237	255	269	-	269	290	306	-	307	330	348	-	345	371	392	-	381	410	433	-
	1400	Lo PR	102	108	118	-	108	115	125	-	112	119	130	-	118	125	137	-	123	131	143	-	127	136	148	-
		MBh	38.1	39.4	43.2	-	37.2	38.5	42.2	-	36.3	37.6	41.2	-	35.4	36.7	40.2	-	33.6	34.9	38.2	-	31.2	32.3	35.4	-
		S/T	0.71	0.59	0.41	-	0.74	0.62	0.43	-	0.76	0.63	0.44	-	0.78	0.65	0.45	-	0.81	0.68	0.47	-	0.82	0.68	0.47	-
		ΔT	18	15	12	-	18	16	12	-	18	16	12	-	18	16	12	-	18	15	12	-	17	14	11	-
		kW	2.84	2.89	2.98	-	3.04	3.10	3.19	-	3.22	3.28	3.38	-	3.37	3.44	3.55	-	3.50	3.58	3.69	-	3.62	3.70	3.81	-
		Amps	10.7	11.0	11.4	-	11.6	11.9	12.3	-	12.6	12.9	13.3	-	13.5	13.8	14.2	-	14.3	14.7	15.1	-	15.2	15.5	16.0	-
1575	Hi PR	217	234	247	-	244	263	277	-	277	299	315	-	316	340	359	-	355	383	404	-	393	423	446	-	
	Lo PR	105	112	122	-	111	118	129	-	115	123	134	-	121	129	141	-	127	135	147	-	131	140	153	-	
	MBh	39.2	40.6	44.5	-	38.3	39.7	43.5	-	37.4	38.7	42.4	-	36.5	37.8	41.4	-	34.6	35.9	39.3	-	32.1	33.3	36.4	-	
	S/T	0.75	0.62	0.43	-	0.77	0.65	0.45	-	0.79	0.66	0.46	-	0.82	0.68	0.47	-	0.85	0.71	0.49	-	0.86	0.72	0.50	-	
	ΔT	17	15	11	-	17	15	11	-	17	15	11	-	17	15	11	-	17	15	11	-	16	14	11	-	
	kW	2.86	2.91	3.00	-	3.06	3.12	3.21	-	3.24	3.31	3.41	-	3.40	3.47	3.57	-	3.53	3.61	3.72	-	3.65	3.72	3.84	-	
75	1225	Amps	10.8	11.1	11.5	-	11.7	12.0	12.4	-	12.7	13.0	13.													

EXPANDED COOLING DATA — GSX130421B* / CA*F3642*6B* (CONT.)

IDB	AIRFLOW	OUTDOOR AMBIENT TEMPERATURE																									
		65°F				75°F				85°F				95°F				105°F				115°F					
		59	63	67	71	59	63	67	71	59	63	67	71	59	63	67	71	59	63	67	71	59	63	67	71		
80	1225	MBh	36.4	37.1	39.7	42.4	35.5	36.3	38.8	41.4	34.7	35.4	37.8	40.5	33.8	34.6	36.9	39.5	32.1	32.8	35.1	37.5	29.8	30.4	32.5	34.7	
		S/T	0.86	0.80	0.65	0.49	0.89	0.83	0.68	0.51	0.91	0.85	0.69	0.52	0.94	0.88	0.72	0.54	0.97	0.91	0.74	0.56	0.98	0.92	0.75	0.56	
		ΔT	23	22	19	16	24	23	20	16	24	23	20	16	24	23	20	16	24	23	20	16	22	21	18	15	
		kW	2.82	2.87	2.95	3.04	3.01	3.07	3.17	3.26	3.19	3.25	3.35	3.46	3.34	3.41	3.52	3.63	3.43	3.48	3.55	3.66	3.77	3.59	3.67	3.78	3.90
		Amps	10.6	10.9	11.2	11.7	11.5	11.8	12.2	12.6	12.5	12.8	13.2	13.7	13.3	13.6	14.1	14.6	14.2	14.5	15.0	15.6	15.6	15.0	15.4	15.9	16.5
		Hi PR	215	232	245	255	241	260	274	286	275	296	312	325	313	337	355	371	352	379	400	417	389	418	442	461	
	Lo PR	104	111	121	129	110	117	128	136	114	121	133	141	120	128	139	148	126	134	146	155	130	138	151	161		
	MBh	39.4	40.2	43.0	46.0	38.5	39.3	42.0	44.9	37.6	38.4	41.0	43.8	36.6	37.4	40.0	42.8	34.8	35.6	38.0	40.6	32.2	32.9	35.2	37.6		
	S/T	0.89	0.83	0.68	0.51	0.92	0.86	0.70	0.52	0.94	0.88	0.72	0.54	0.97	0.91	0.74	0.56	1.00	0.95	0.77	0.58	1.00	0.96	0.78	0.58		
	ΔT	23	22	19	15	23	22	19	15	23	22	19	15	23	22	19	15	23	22	19	15	21	21	18	14		
	kW	2.88	2.94	3.02	3.11	3.08	3.15	3.24	3.34	3.27	3.33	3.43	3.54	3.42	3.50	3.60	3.72	3.56	3.64	3.75	3.87	3.68	3.76	3.87	4.00		
	Amps	10.9	11.2	11.6	12.0	11.8	12.1	12.5	13.0	12.8	13.1	13.6	14.1	13.7	14.0	14.5	15.0	14.6	14.9	15.4	16.0	15.4	15.8	16.3	17.0		
Hi PR	222	239	252	263	249	268	283	295	283	305	322	336	322	347	366	382	363	390	412	430	401	431	455	475			
Lo PR	107	114	125	133	113	120	132	140	118	125	137	146	124	132	144	153	130	138	150	160	134	143	156	166			
MBh	40.6	41.5	44.3	47.3	39.6	40.5	43.3	46.2	38.7	39.5	42.2	45.1	37.7	38.6	41.2	44.0	35.9	36.6	39.1	41.8	33.2	33.9	36.3	38.8			
S/T	0.93	0.87	0.71	0.53	0.96	0.90	0.74	0.55	1.00	0.93	0.75	0.56	1.00	0.96	0.78	0.58	1.00	1.00	0.81	0.60	1.00	1.00	0.82	0.61			
ΔT	22	21	18	15	22	21	19	15	23	21	19	15	22	22	19	15	21	21	18	15	19	20	17	14			
kW	2.90	2.96	3.04	3.14	3.11	3.17	3.26	3.36	3.29	3.36	3.46	3.57	3.45	3.52	3.63	3.75	3.59	3.66	3.78	3.90	3.71	3.79	3.90	4.03			
Amps	11.0	11.3	11.7	12.1	11.9	12.2	12.6	13.1	12.9	13.3	13.7	14.2	13.8	14.2	14.6	15.2	14.7	15.1	15.6	16.2	15.6	16.0	16.5	17.1			
Hi PR	224	241	255	266	251	271	286	298	286	308	325	339	326	350	370	386	366	394	416	434	405	436	460	480			
Lo PR	108	115	126	134	114	122	133	141	119	126	138	147	125	133	145	154	131	139	152	162	135	144	157	167			

85	1225	MBh	37.0	37.7	39.5	42.1	36.1	36.8	38.6	41.2	35.3	36.0	37.7	40.2	34.4	35.1	36.7	39.2	32.7	33.3	34.9	37.2	30.3	30.9	32.3	34.5
		S/T	0.90	0.87	0.78	0.63	0.93	0.90	0.81	0.66	0.95	0.92	0.83	0.67	0.98	0.95	0.86	0.70	1.00	0.99	0.89	0.72	1.00	0.99	0.90	0.73
		ΔT	25	24	23	20	25	25	23	20	25	25	23	20	25	25	24	20	25	25	23	20	23	23	22	19
		kW	2.84	2.89	2.98	3.06	3.04	3.10	3.19	3.29	3.21	3.28	3.38	3.48	3.37	3.44	3.55	3.66	3.50	3.58	3.69	3.80	3.62	3.69	3.81	3.93
		Amps	10.7	11.0	11.4	11.8	11.6	11.9	12.3	12.7	12.6	12.9	13.3	13.8	13.4	13.8	14.2	14.8	14.3	14.7	15.1	15.7	15.2	15.5	16.0	16.6
		Hi PR	217	234	247	258	244	262	277	289	277	298	315	329	316	340	359	374	355	382	404	421	393	423	446	465
	Lo PR	105	112	122	130	111	118	129	137	115	123	134	143	121	129	141	150	127	135	147	157	131	140	153	162	
	MBh	40.1	40.9	42.8	45.6	39.1	39.9	41.8	44.6	38.2	39.0	40.8	43.5	37.3	38.0	39.8	42.5	35.4	36.1	37.8	40.3	32.8	33.4	35.0	37.4	
	S/T	0.93	0.90	0.81	0.66	0.96	0.93	0.84	0.68	0.99	0.95	0.86	0.70	1.00	0.98	0.89	0.72	1.00	1.00	0.92	0.75	1.00	1.00	0.93	0.75	
	ΔT	24	24	23	20	25	24	23	20	25	24	23	20	24	25	23	20	24	25	23	20	22	22	21	19	
	kW	2.90	2.96	3.04	3.14	3.11	3.17	3.26	3.36	3.29	3.36	3.46	3.57	3.45	3.52	3.63	3.75	3.59	3.66	3.78	3.90	3.71	3.79	3.90	4.03	
	Amps	11.0	11.3	11.7	12.1	11.9	12.2	12.6	13.1	12.9	13.3	13.7	14.2	13.8	14.2	14.6	15.2	14.7	15.1	15.6	16.2	15.6	16.0	16.5	17.1	
Hi PR	224	241	255	266	251	271	286	298	286	308	325	339	326	350	370	386	366	394	416	434	405	436	460	480		
Lo PR	108	115	126	134	114	122	133	141	119	126	138	147	125	133	145	154	131	139	152	162	135	144	157	167		
MBh	41.3	42.1	44.1	47.0	40.3	41.1	43.0	45.9	39.4	40.1	42.0	44.8	38.4	39.1	41.0	43.7	36.5	37.2	38.9	41.5	33.8	34.4	36.1	38.5		
S/T	0.98	0.94	0.85	0.69	1.00	0.98	0.88	0.71	1.00	1.00	0.90	0.73	1.00	1.00	0.93	0.76	1.00	1.00	0.97	0.78	1.00	1.00	0.98	0.79		
ΔT	24	23	22	19	24	23	22	19	23	23	22	19	22	23	22	19	21	22	22	19	20	20	21	18		
kW	2.92	2.98	3.07	3.16	3.13	3.19	3.29	3.39	3.32	3.38	3.49	3.60	3.48	3.55	3.66	3.78	3.62	3.69	3.81	3.93	3.74	3.82	3.94	4.06		
Amps	11.1	11.4	11.8	12.2	12.0	12.3	12.7	13.2	13.1	13.4	13.8	14.3	14.0	14.3	14.8	15.3	14.8	15.2	15.7	16.3	15.7	16.1	16.7	17.3		
Hi PR	226	244	257	268	254	273	289	301	289	311	328	342	329	354	374	390	370	398	420	439	409	440	465	485		
Lo PR	109	116	127	135	116	123	134	143	120	128	139	149	126	134	146	156	132	141	154	163	137	145	159	169		

Amps = outdoor unit amps (comp.+fan)
kW = Total system power

Shaded area reflects AHRI conditions

IDB: Entering Indoor Dry Bulb Temperature
High and low pressures are measured at the liquid and suction service valves.

EXPANDED COOLING DATA — GSX130481A* / CA*F4860*6**

IDB	AIRFLOW	OUTDOOR AMBIENT TEMPERATURE																							
		65°F				75°F				85°F				95°F				105°F				115°F			
		59	63	67	71	59	63	67	71	59	63	67	71	59	63	67	71	59	63	67	71	59	63	67	71
70	MBh	45.1	46.7	51.2	-	44.0	45.6	50.0	-	43.0	44.5	48.8	-	41.9	43.5	47.6	-	39.8	41.3	45.2	-	36.9	38.2	41.9	-
	S/T	0.75	0.63	0.44	-	0.78	0.65	0.45	-	0.80	0.67	0.46	-	0.83	0.69	0.48	-	0.86	0.72	0.50	-	0.86	0.72	0.50	-
	ΔT	17	15	11	-	18	15	12	-	18	15	12	-	18	15	12	-	17	15	11	-	16	14	11	-
	kW	3.16	3.22	3.33	-	3.40	3.48	3.59	-	3.62	3.70	3.83	-	3.82	3.90	4.03	-	3.98	4.07	4.21	-	4.12	4.22	4.36	-
	Amps	11.6	11.9	12.3	-	12.5	12.9	13.3	-	13.7	14.0	14.5	-	14.6	15.0	15.5	-	15.6	16.0	16.5	-	16.5	17.0	17.5	-
	Hi PR	236	253	268	-	264	284	300	-	301	323	342	-	342	368	389	-	385	414	438	-	425	458	484	-
	Lo PR	110	117	128	-	116	124	135	-	121	129	140	-	127	135	147	-	133	142	155	-	138	146	160	-
	MBh	43.8	45.4	49.7	-	42.7	44.3	48.5	-	41.7	43.2	47.4	-	40.7	42.2	46.2	-	38.7	40.1	43.9	-	35.8	37.1	40.7	-
	S/T	0.72	0.60	0.42	-	0.74	0.62	0.43	-	0.76	0.64	0.44	-	0.79	0.66	0.46	-	0.82	0.68	0.47	-	0.82	0.69	0.48	-
	ΔT	18	16	12	-	18	16	12	-	18	16	12	-	18	16	12	-	18	16	12	-	17	15	11	-
kW	3.13	3.20	3.30	-	3.38	3.45	3.56	-	3.59	3.67	3.80	-	3.79	3.87	4.00	-	3.95	4.04	4.17	-	4.09	4.18	4.32	-	
Amps	11.5	11.8	12.1	-	12.4	12.7	13.2	-	13.5	13.9	14.3	-	14.5	14.8	15.4	-	15.4	15.8	16.4	-	16.4	16.8	17.4	-	
Hi PR	233	251	265	-	262	282	297	-	298	320	338	-	339	365	385	-	381	410	433	-	421	453	479	-	
Lo PR	109	116	127	-	115	123	134	-	120	127	139	-	126	134	146	-	132	140	153	-	136	145	158	-	
MBh	40.4	41.9	45.9	-	39.5	40.9	44.8	-	38.5	39.9	43.7	-	37.6	38.9	42.7	-	35.7	37.0	40.5	-	33.1	34.3	37.5	-	
S/T	0.69	0.58	0.40	-	0.72	0.60	0.42	-	0.74	0.61	0.43	-	0.76	0.63	0.44	-	0.79	0.66	0.46	-	0.80	0.66	0.46	-	
ΔT	18	16	12	-	19	16	12	-	19	16	12	-	19	16	12	-	18	16	12	-	17	15	11	-	
kW	3.05	3.12	3.22	-	3.29	3.37	3.47	-	3.50	3.58	3.70	-	3.69	3.77	3.90	-	3.85	3.93	4.07	-	3.98	4.07	4.21	-	
Amps	11.2	11.4	11.8	-	12.1	12.4	12.8	-	13.1	13.5	13.9	-	14.1	14.4	14.9	-	15.0	15.4	15.9	-	15.9	16.3	16.9	-	
Hi PR	226	243	257	-	254	273	288	-	289	311	328	-	329	354	374	-	370	398	420	-	409	440	464	-	
Lo PR	106	112	123	-	112	119	130	-	116	124	135	-	122	130	142	-	128	136	148	-	132	141	154	-	

1800	MBh	45.8	47.2	51.1	54.8	44.8	46.1	49.9	53.6	43.7	45.0	48.7	52.3	42.6	43.9	47.5	51.0	40.5	41.7	45.1	48.5	37.5	38.6	41.8	44.9
	S/T	0.86	0.77	0.58	0.37	0.89	0.79	0.60	0.39	0.91	0.81	0.62	0.40	0.94	0.84	0.64	0.41	0.97	0.87	0.66	0.42	0.98	0.88	0.67	0.43
	ΔT	20	18	15	10	20	19	15	11	20	19	15	11	20	19	15	11	20	19	15	11	19	17	14	10
	kW	3.18	3.25	3.36	3.47	3.43	3.51	3.62	3.75	3.65	3.74	3.86	3.99	3.85	3.94	4.07	4.21	4.02	4.11	4.25	4.39	4.16	4.26	4.40	4.55
	Amps	11.7	12.0	12.4	12.9	12.7	13.0	13.4	13.9	13.8	14.1	14.6	15.2	14.8	15.1	15.6	16.3	15.7	16.1	16.7	17.3	16.7	17.1	17.7	18.4
	Hi PR	238	256	270	282	267	287	303	316	304	327	345	360	346	372	393	410	389	419	442	461	430	463	488	509
	Lo PR	111	118	129	138	118	125	136	145	122	130	142	151	128	136	149	159	134	143	156	166	139	148	161	172
	MBh	44.5	45.8	49.6	53.2	43.5	44.8	48.4	52.0	42.4	43.7	47.3	50.8	41.4	42.6	46.1	49.5	39.3	40.5	43.8	47.0	36.4	37.5	40.6	43.6
	S/T	0.82	0.73	0.55	0.36	0.85	0.76	0.57	0.37	0.87	0.78	0.59	0.38	0.90	0.80	0.61	0.39	0.93	0.83	0.63	0.40	0.94	0.84	0.63	0.41
	ΔT	21	19	16	11	21	19	16	11	21	19	16	11	21	20	16	11	21	19	16	11	20	18	15	10
kW	3.16	3.22	3.33	3.44	3.40	3.48	3.59	3.71	3.62	3.71	3.83	3.96	3.82	3.90	4.04	4.17	3.98	4.07	4.21	4.36	4.12	4.22	4.36	4.51	
Amps	11.6	11.9	12.3	12.7	12.5	12.9	13.3	13.8	13.7	14.0	14.5	15.0	14.6	15.0	15.5	16.1	15.6	16.0	16.5	17.2	16.5	17.0	17.5	18.2	
Hi PR	236	253	268	279	264	284	300	313	301	323	342	356	342	368	389	406	385	415	438	457	426	458	484	504	
Lo PR	110	117	128	136	116	124	135	144	121	129	140	150	127	135	148	157	133	142	155	165	138	146	160	170	
MBh	41.1	42.3	45.8	49.1	40.1	41.3	44.7	48.0	39.2	40.3	43.7	46.8	38.2	39.3	42.6	45.7	36.3	37.4	40.5	43.4	33.6	34.6	37.5	40.2	
S/T	0.79	0.70	0.53	0.34	0.82	0.73	0.55	0.36	0.84	0.75	0.57	0.36	0.86	0.77	0.58	0.38	0.90	0.80	0.61	0.39	0.90	0.81	0.61	0.39	
ΔT	21	20	16	11	22	20	16	11	22	20	16	11	22	20	16	11	21	20	16	11	20	18	15	10	
kW	3.08	3.15	3.25	3.35	3.32	3.39	3.50	3.62	3.53	3.61	3.73	3.86	3.72	3.80	3.93	4.07	3.88	3.97	4.10	4.24	4.02	4.11	4.25	4.40	
Amps	11.3	11.5	11.9	12.4	12.2	12.5	12.9	13.4	13.3	13.6	14.1	14.6	14.2	14.6	15.1	15.6	15.1	15.5	16.1	16.7	16.1	16.5	17.0	17.7	
Hi PR	228	246	260	271	256	276	291	304	292	314	331	346	332	357	377	394	374	402	425	443	413	444	469	489	
Lo PR	107	114	124	132	113	120	131	140	117	125	136	145	123	131	143	152	129	137	150	160	134	142	155	165	

IDB: Entering Indoor Dry Bulb Temperature
 High and low pressures are measured at the liquid and suction service valves.
 Shaded area reflects ACCA (TVA) conditions
 Amps = outdoor unit amps (comp.+fan)
 kW = Total system power

EXPANDED COOLING DATA — GSX130481A* / CA*F4860*6** (CONT.)

IDB	AIRFLOW	OUTDOOR AMBIENT TEMPERATURE												ENTERING INDOOR WET BULB TEMPERATURE											
		65°F				75°F				85°F				95°F				105°F				115°F			
		59	63	67	71	59	63	67	71	59	63	67	71	59	63	67	71	59	63	67	71	59	63	67	71
80	MBh	46.7	47.7	50.9	54.4	45.6	46.6	49.7	53.2	44.5	45.5	48.6	51.9	43.4	44.3	47.4	50.6	41.2	42.1	45.0	48.1	38.2	39.0	41.7	44.6
	S/T	0.94	0.88	0.72	0.54	1.00	0.91	0.74	0.56	1.00	0.94	0.76	0.57	1.00	0.97	0.79	0.59	1.00	1.00	0.82	0.61	1.00	1.00	0.82	0.62
	ΔT	22	21	19	15	23	22	19	15	22	22	19	15	22	22	19	15	21	22	20	15	20	20	18	14
	kW	3.21	3.28	3.38	3.50	3.46	3.54	3.65	3.78	3.69	3.77	3.89	4.03	3.88	3.97	4.10	4.25	4.05	4.14	4.28	4.43	4.20	4.29	4.44	4.59
	Amps	11.8	12.1	12.5	13.0	12.8	13.1	13.5	14.1	13.9	14.3	14.8	15.3	14.9	15.3	15.8	16.4	15.9	16.3	16.8	17.5	16.9	17.3	17.9	18.6
	Hi PR	240	259	273	285	270	290	306	320	307	330	349	363	349	376	397	414	393	423	447	466	434	467	493	515
	Lo PR	112	120	130	139	119	126	138	147	123	131	143	153	130	138	150	160	136	144	158	168	140	149	163	174
	MBh	45.3	46.3	49.5	52.9	44.2	45.2	48.3	51.6	43.2	44.1	47.2	50.4	42.1	43.1	46.0	49.2	40.0	40.9	43.7	46.7	37.1	37.9	40.5	43.3
	S/T	0.90	0.84	0.68	0.51	0.93	0.87	0.71	0.53	0.95	0.89	0.73	0.54	0.98	0.92	0.75	0.56	1.00	0.96	0.78	0.58	1.00	0.96	0.78	0.59
	ΔT	23	22	19	16	24	23	20	16	24	23	20	16	24	23	20	16	24	23	21	16	21	21	18	15
kW	3.18	3.25	3.36	3.47	3.43	3.51	3.62	3.75	3.66	3.74	3.86	3.99	3.85	3.94	4.07	4.21	4.02	4.11	4.25	4.39	4.16	4.26	4.40	4.55	
Amps	11.7	12.0	12.4	12.9	12.7	13.0	13.4	13.9	13.8	14.1	14.6	15.2	14.8	15.1	15.7	16.3	15.7	16.1	16.7	17.3	16.7	17.1	17.7	18.4	
Hi PR	238	256	270	282	267	287	303	316	304	327	345	360	346	372	393	410	389	419	442	461	430	463	488	510	
Lo PR	111	118	129	138	118	125	136	145	122	130	142	151	128	136	149	159	134	143	156	166	139	148	162	172	
MBh	41.8	42.7	45.6	48.8	40.8	41.7	44.6	47.7	39.9	40.7	43.5	46.5	38.9	39.7	42.5	45.4	36.9	37.8	40.3	43.1	34.2	35.0	37.4	39.9	
S/T	0.86	0.81	0.66	0.49	0.90	0.84	0.68	0.51	0.92	0.86	0.70	0.52	0.95	0.89	0.72	0.54	0.98	0.92	0.75	0.56	0.99	0.93	0.76	0.57	
ΔT	24	23	20	16	24	23	20	16	24	23	20	16	24	23	20	16	24	23	21	16	22	21	19	15	
kW	3.10	3.17	3.27	3.38	3.35	3.42	3.53	3.65	3.56	3.64	3.76	3.89	3.75	3.84	3.97	4.10	3.91	4.00	4.14	4.28	4.05	4.15	4.29	4.43	
Amps	11.4	11.6	12.0	12.5	12.3	12.6	13.0	13.5	13.4	13.7	14.2	14.7	14.3	14.7	15.2	15.8	15.3	15.7	16.2	16.8	16.2	16.6	17.2	17.9	
Hi PR	231	248	262	274	259	279	294	307	295	317	335	349	335	361	381	398	377	406	429	447	417	449	474	494	
Lo PR	108	115	125	133	114	121	132	141	118	126	138	147	124	132	145	154	130	139	151	161	135	144	157	167	

85	MBh	47.5	48.4	50.7	54.1	46.4	47.3	49.5	52.8	45.3	46.1	48.3	51.6	44.2	45.0	47.1	50.3	42.0	42.8	44.8	47.8	38.9	39.6	41.5	44.3
	S/T	0.98	0.95	0.86	0.70	1.00	0.98	0.89	0.72	1.00	1.00	0.91	0.74	1.00	1.00	0.94	0.76	1.00	1.00	0.98	0.79	1.00	1.00	0.98	0.80
	ΔT	24	23	22	19	24	24	22	19	23	24	22	19	23	23	23	20	21	22	22	19	20	20	21	18
	kW	3.23	3.30	3.41	3.53	3.49	3.57	3.69	3.81	3.72	3.80	3.93	4.06	3.92	4.01	4.14	4.28	4.09	4.18	4.32	4.47	4.23	4.33	4.48	4.63
	Amps	11.9	12.2	12.6	13.1	12.9	13.2	13.7	14.2	14.0	14.4	14.9	15.5	15.0	15.4	15.9	16.6	16.0	16.4	17.0	17.7	17.0	17.4	18.0	18.8
	Hi PR	243	261	276	288	272	293	309	323	310	333	352	367	353	380	401	418	397	427	451	470	439	472	498	520
	Lo PR	113	121	132	140	120	128	139	148	125	133	145	154	131	139	152	162	137	146	159	170	142	151	165	175
	MBh	46.1	47.0	49.2	52.5	45.0	45.9	48.1	51.3	43.9	44.8	46.9	50.1	42.9	43.7	45.8	48.8	40.7	41.5	43.5	46.4	37.7	38.5	40.3	43.0
	S/T	0.94	0.91	0.82	0.66	0.97	0.94	0.85	0.69	1.00	0.96	0.87	0.71	1.00	0.99	0.90	0.73	1.00	1.00	0.93	0.76	1.00	1.00	0.94	0.76
	ΔT	25	24	23	20	25	25	23	20	25	25	23	20	25	25	24	20	23	24	23	20	22	22	22	19
kW	3.21	3.28	3.38	3.50	3.46	3.54	3.65	3.78	3.69	3.77	3.89	4.03	3.88	3.97	4.10	4.25	4.05	4.14	4.28	4.43	4.20	4.29	4.44	4.59	
Amps	11.8	12.1	12.5	13.0	12.8	13.1	13.5	14.1	13.9	14.3	14.8	15.3	14.9	15.3	15.8	16.4	15.9	16.3	16.8	17.5	16.9	17.3	17.9	18.6	
Hi PR	240	259	273	285	270	290	306	320	307	330	349	363	349	376	397	414	393	423	447	466	434	467	493	515	
Lo PR	112	120	130	139	119	126	138	147	123	131	143	153	130	138	150	160	136	144	158	168	140	149	163	174	
MBh	42.5	43.4	45.4	48.5	41.5	42.4	44.4	47.3	40.6	41.3	43.3	46.2	39.6	40.3	42.2	45.1	37.6	38.3	40.1	42.8	34.8	35.5	37.2	39.7	
S/T	0.91	0.87	0.79	0.64	0.94	0.91	0.82	0.66	0.96	0.93	0.84	0.68	0.99	0.96	0.86	0.70	1.00	0.99	0.90	0.73	1.00	1.00	0.91	0.73	
ΔT	25	25	24	20	26	25	24	21	26	25	24	21	26	25	24	21	26	25	24	20	23	23	22	19	
kW	3.13	3.20	3.30	3.41	3.38	3.45	3.56	3.68	3.59	3.67	3.79	3.92	3.78	3.87	4.00	4.14	3.95	4.04	4.17	4.32	4.09	4.18	4.32	4.47	
Amps	11.5	11.7	12.1	12.6	12.4	12.7	13.2	13.7	13.5	13.9	14.3	14.9	14.5	14.8	15.3	15.9	15.4	15.8	16.4	17.0	16.4	16.8	17.4	18.0	
Hi PR	233	251	265	276	262	281	297	310	297	320	338	353	339	365	385	402	381	410	433	452	421	453	479	499	
Lo PR	109	116	127	135	115	122	134	142	120	127	139	148	126	134	146	155	132	140	153	163	136	145	158	169	

IDB: Entering Indoor Dry Bulb Temperature
 High and low pressures are measured at the liquid and suction service valves.
 Shaded area reflects AHRI conditions
 Amps = outdoor unit amps (comp.+fan)
 kW = Total system power

EXPANDED COOLING DATA — GSX130481B* / CA*F4860*6B*

IDB	AIRFLOW	OUTDOOR AMBIENT TEMPERATURE												ENTERING INDOOR WET BULB TEMPERATURE													
		65°F				75°F				85°F				95°F				105°F				115°F					
		59	63	67	71	59	63	67	71	59	63	67	71	59	63	67	71	59	63	67	71	59	63	67	71		
70	1400	MBh	40.4	41.9	45.9	-	39.5	40.9	44.8	-	38.5	39.9	43.7	-	37.6	38.9	42.7	-	35.7	37.0	40.5	-	33.1	34.3	37.5	-	
		S/T	0.71	0.59	0.41	-	0.73	0.61	0.42	-	0.75	0.63	0.44	-	0.78	0.65	0.45	-	0.81	0.67	0.47	-	0.81	0.68	0.47	-	
	ΔT	19	16	12	-	19	16	13	-	19	16	13	-	19	17	13	-	19	16	12	-	18	15	12	-		
	1600	kW	3.17	3.23	3.32	-	3.39	3.46	3.56	-	3.59	3.66	3.77	-	3.77	3.84	3.96	-	3.91	4.00	4.12	-	4.04	4.13	4.26	-	
		Amps	11.6	11.9	12.3	-	12.6	12.9	13.3	-	13.7	14.0	14.5	-	14.6	15.0	15.5	-	15.5	15.9	16.5	-	16.5	16.9	17.4	-	
	1800	Hi PR	215	231	244	-	241	259	274	-	274	295	311	-	312	336	354	-	351	377	399	-	388	417	440	-	
		Lo PR	104	111	121	-	110	117	128	-	115	122	133	-	120	128	140	-	126	134	146	-	130	139	151	-	
	75	1400	MBh	43.8	45.4	49.7	-	42.7	44.3	48.5	-	41.7	43.2	47.4	-	40.7	42.2	46.2	-	38.7	40.1	43.9	-	35.8	37.1	40.7	-
			S/T	0.73	0.61	0.43	-	0.76	0.64	0.44	-	0.78	0.65	0.45	-	0.81	0.67	0.47	-	0.84	0.70	0.48	-	0.84	0.70	0.49	-
		ΔT	18	16	12	-	19	16	12	-	19	16	12	-	19	16	12	-	19	16	12	-	17	15	11	-	
1600		kW	3.24	3.30	3.40	-	3.47	3.54	3.65	-	3.67	3.75	3.87	-	3.86	3.94	4.06	-	4.01	4.09	4.22	-	4.14	4.23	4.36	-	
		Amps	12.0	12.3	12.7	-	12.9	13.2	13.7	-	14.1	14.4	14.9	-	15.0	15.4	15.9	-	16.0	16.4	16.9	-	16.9	17.4	17.9	-	
1800		Hi PR	221	238	251	-	248	267	282	-	282	304	321	-	321	346	365	-	362	389	411	-	400	430	454	-	
		Lo PR	108	114	125	-	114	121	132	-	118	126	137	-	124	132	144	-	130	138	151	-	134	143	156	-	
75		1400	MBh	45.1	46.7	51.2	-	44.0	45.6	50.0	-	43.0	44.5	48.8	-	41.9	43.5	47.6	-	39.8	41.3	45.2	-	36.9	38.2	41.9	-
			S/T	0.77	0.64	0.45	-	0.80	0.67	0.46	-	0.82	0.68	0.47	-	0.85	0.71	0.49	-	0.88	0.73	0.51	-	0.88	0.74	0.51	-
		ΔT	18	15	12	-	18	16	12	-	18	16	12	-	18	16	12	-	18	15	12	-	17	14	11	-	
	1600	kW	3.26	3.33	3.42	-	3.50	3.57	3.67	-	3.70	3.78	3.90	-	3.89	3.97	4.09	-	4.04	4.13	4.26	-	4.18	4.26	4.40	-	
		Amps	12.1	12.4	12.8	-	13.0	13.4	13.8	-	14.2	14.5	15.0	-	15.2	15.5	16.0	-	16.1	16.5	17.1	-	17.1	17.5	18.1	-	
	1800	Hi PR	223	240	254	-	251	270	285	-	285	307	324	-	325	349	369	-	365	393	415	-	404	434	459	-	
		Lo PR	109	116	126	-	115	122	133	-	119	127	139	-	125	133	146	-	131	140	152	-	136	144	158	-	
	75	1400	MBh	41.1	42.3	45.8	49.1	40.1	41.3	44.7	48.0	39.2	40.3	43.7	46.8	38.2	39.3	42.6	45.7	36.3	37.4	40.5	43.4	33.6	34.6	37.5	40.2
			S/T	0.81	0.72	0.55	0.35	0.83	0.75	0.56	0.36	0.86	0.77	0.58	0.37	0.88	0.79	0.60	0.38	0.92	0.82	0.62	0.40	0.92	0.83	0.63	0.40
		ΔT	22	20	16	11	22	20	17	11	22	20	17	11	22	20	17	12	22	20	16	11	20	19	15	11	
1600		kW	3.19	3.25	3.35	3.45	3.42	3.49	3.59	3.70	3.62	3.69	3.80	3.92	3.79	3.87	3.99	4.12	3.95	4.03	4.15	4.29	4.08	4.16	4.29	4.43	
		Amps	11.7	12.0	12.4	12.9	12.7	13.0	13.4	13.9	13.8	14.1	14.6	15.1	14.7	15.1	15.6	16.2	15.7	16.1	16.6	17.2	16.6	17.0	17.6	18.3	
1800		Hi PR	217	233	246	257	243	262	276	288	277	298	314	328	315	339	358	373	354	381	403	420	391	421	445	464	
		Lo PR	105	112	122	130	111	118	129	138	116	123	134	143	122	129	141	150	127	136	148	158	132	140	153	163	
75		1400	MBh	44.5	45.8	49.6	53.2	43.5	44.8	48.4	52.0	42.4	43.7	47.3	50.8	41.4	42.6	46.1	49.5	39.3	40.5	43.8	47.0	36.4	37.5	40.6	43.6
			S/T	0.84	0.75	0.57	0.36	0.87	0.77	0.59	0.38	0.89	0.79	0.60	0.39	0.92	0.82	0.62	0.40	0.95	0.85	0.64	0.41	0.96	0.86	0.65	0.42
		ΔT	21	20	16	11	22	20	16	11	22	20	16	11	22	20	16	11	21	20	16	11	20	18	15	10	
	1600	kW	3.26	3.33	3.42	3.53	3.50	3.57	3.68	3.79	3.70	3.78	3.90	4.02	3.89	3.97	4.09	4.22	4.04	4.13	4.26	4.39	4.18	4.26	4.40	4.54	
		Amps	12.1	12.4	12.8	13.2	13.1	13.4	13.8	14.3	14.2	14.5	15.0	15.6	15.2	15.5	16.1	16.7	16.1	16.5	17.1	17.7	17.1	17.5	18.1	18.8	
	1800	Hi PR	223	240	254	265	251	270	285	297	285	307	324	338	325	349	369	385	365	393	415	433	404	434	459	478	
		Lo PR	109	116	126	134	115	122	133	142	119	127	139	148	125	133	146	155	131	140	153	162	136	145	158	168	
	75	1400	MBh	45.8	47.2	51.1	54.8	44.8	46.1	49.9	53.6	43.7	45.0	48.7	52.3	42.6	43.9	47.5	51.0	40.5	41.7	45.1	48.5	37.5	38.6	41.8	44.9
			S/T	0.88	0.78	0.59	0.38	0.91	0.81	0.61	0.40	0.93	0.83	0.63	0.41	0.96	0.86	0.65	0.42	1.00	0.89	0.67	0.43	1.00	0.90	0.68	0.44
		ΔT	21	19	15	11	21	19	16	11	21	19	16	11	21	19	16	11	21	19	16	11	19	18	15	10	
1600		kW	3.29	3.35	3.45	3.55	3.52	3.59	3.70	3.82	3.73	3.81	3.93	4.05	3.92	4.00	4.12	4.26	4.07	4.16	4.29	4.43	4.21	4.30	4.44	4.58	
		Amps	12.2	12.5	12.9	13.4	13.2	13.5	13.9	14.5	14.3	14.7	15.1	15.7	15.3	15.7	16.2	16.8	16.3	16.7	17.2	17.9	17.3	17.7	18.3	19.0	
1800		Hi PR	226	243	256	267	253	272	288	300	288	310	327	341	328	353	373	389	369	397	419	437	408	439	463	483	
		Lo PR	110	117	127	136	116	123	135	143	120	128	140	149	127	135	147	157	133	141	154	164	137	146	159	170	

IDB: Entering Indoor Dry Bulb Temperature
 High and low pressures are measured at the liquid and suction service valves.
 Shaded area reflects ACCA (TVA) conditions
 Amps = outdoor unit amps (comp.+fan)
 kW = Total system power

EXPANDED COOLING DATA — GSX130481B* / CA*F4860*6B* (CONT.)

IDB	AIRFLOW	OUTDOOR AMBIENT TEMPERATURE												ENTERING INDOOR WET BULB TEMPERATURE													
		65°F				75°F				85°F				95°F				105°F				115°F					
		59	63	67	71	59	63	67	71	59	63	67	71	59	63	67	71	59	63	67	71	59	63	67	71		
80	1400	MBh	41.8	42.7	45.6	48.8	40.8	41.7	44.6	47.7	39.9	40.7	43.5	46.5	38.9	39.7	42.5	45.4	36.9	37.8	40.3	43.1	34.2	35.0	37.4	39.9	
		S/T	0.88	0.83	0.67	0.50	0.92	0.86	0.70	0.52	0.94	0.88	0.72	0.54	0.97	0.91	0.74	0.55	1.01	0.94	0.77	0.57	1.01	0.95	0.77	0.58	
	1600	ΔT	24	23	20	16	25	24	20	16	25	24	20	16	25	24	21	16	24	23	20	16	23	22	19	15	
		kW	3.21	3.28	3.37	3.47	3.44	3.51	3.62	3.73	3.65	3.72	3.83	3.95	3.82	3.90	4.03	4.15	3.98	4.06	4.19	4.32	4.11	4.20	4.33	4.47	
	1800	Amps	11.9	12.1	12.5	13.0	12.8	13.1	13.6	14.1	13.9	14.3	14.7	15.3	14.9	15.2	15.8	16.3	15.8	16.2	16.8	17.4	16.8	17.2	17.8	18.5	
		Hi PR	219	236	249	259	246	264	279	291	279	301	317	331	318	342	362	377	358	385	407	424	395	426	449	469	
	85	1400	Lo PR	106	113	124	132	112	120	131	139	117	124	136	145	123	131	143	152	129	137	149	159	133	142	155	165
			MBh	45.3	46.3	49.5	52.9	44.2	45.2	48.3	51.6	43.2	44.1	47.2	50.4	42.1	43.1	46.0	49.2	40.0	40.9	43.7	46.7	37.1	37.9	40.5	43.3
		1600	S/T	0.92	0.86	0.70	0.52	0.95	0.89	0.72	0.54	0.97	0.91	0.74	0.56	1.00	0.94	0.77	0.57	1.00	0.98	0.80	0.60	1.00	0.99	0.80	0.60
			ΔT	24	23	20	16	24	23	20	16	24	23	20	16	24	23	20	16	23	23	20	16	21	21	19	15
1800		kW	3.29	3.35	3.45	3.56	3.52	3.59	3.70	3.82	3.73	3.81	3.93	4.05	3.92	4.00	4.12	4.26	4.07	4.16	4.29	4.43	4.21	4.30	4.44	4.58	
		Amps	12.2	12.5	12.9	13.4	13.2	13.5	13.9	14.5	14.3	14.7	15.2	15.7	15.3	15.7	16.2	16.8	16.3	16.7	17.3	17.9	17.3	17.7	18.3	19.0	
85		1400	Hi PR	226	243	256	267	253	272	288	300	288	310	327	341	328	353	373	389	369	397	419	437	408	439	463	483
			Lo PR	110	117	127	136	116	123	135	143	120	128	140	149	127	135	147	157	133	141	154	164	137	146	159	170
		1600	MBh	46.7	47.7	50.9	54.4	45.6	46.6	49.7	53.2	44.5	45.5	48.6	51.9	43.4	44.3	47.4	50.6	41.2	42.1	45.0	48.1	38.2	39.0	41.7	44.6
			S/T	0.96	0.90	0.73	0.55	1.00	0.93	0.76	0.57	1.00	0.96	0.78	0.58	1.00	1.00	0.80	0.60	1.00	1.00	0.83	0.62	1.00	1.00	0.84	0.63
	1800	ΔT	23	22	19	15	23	22	19	15	23	22	19	15	22	23	19	16	21	21	19	15	20	20	18	14	
		kW	3.31	3.38	3.48	3.58	3.55	3.62	3.73	3.85	3.76	3.84	3.96	4.08	3.95	4.03	4.16	4.29	4.11	4.19	4.33	4.47	4.24	4.33	4.47	4.62	
	85	1400	Amps	12.3	12.6	13.0	13.5	13.3	13.6	14.1	14.6	14.4	14.8	15.3	15.9	15.4	15.8	16.4	17.0	16.4	16.8	17.4	18.1	17.4	17.9	18.5	19.2
			Hi PR	228	245	259	270	256	275	291	303	291	313	331	345	331	356	376	393	373	401	423	442	412	443	468	488
		1600	Lo PR	108	114	125	133	114	121	132	140	118	126	137	146	124	132	144	153	130	138	151	161	134	143	156	166
			MBh	46.1	47.0	49.2	52.5	45.0	45.9	48.1	51.3	43.9	44.8	46.9	50.1	42.9	43.7	45.8	48.8	40.7	41.5	43.5	46.4	37.7	38.5	40.3	43.0
1800		S/T	0.96	0.93	0.84	0.68	1.00	0.96	0.87	0.70	1.00	0.98	0.89	0.72	1.00	1.00	0.92	0.74	1.00	1.00	0.95	0.77	1.00	1.00	0.96	0.78	
		ΔT	25	25	24	20	26	25	24	21	25	25	24	21	25	25	24	21	23	24	24	21	22	22	22	19	
85		1400	kW	3.31	3.38	3.48	3.58	3.55	3.62	3.73	3.85	3.76	3.84	3.96	4.08	3.95	4.03	4.16	4.29	4.11	4.19	4.33	4.47	4.24	4.33	4.47	4.62
			Amps	12.3	12.6	13.0	13.5	13.3	13.6	14.1	14.6	14.4	14.8	15.3	15.9	15.4	15.8	16.4	17.0	16.4	16.8	17.4	18.1	17.4	17.9	18.5	19.2
		1600	Hi PR	228	245	259	270	256	275	291	303	291	313	331	345	331	356	376	393	373	401	423	442	412	443	468	488
			Lo PR	111	118	129	137	117	125	136	145	122	129	141	151	128	136	148	158	134	143	156	166	139	147	161	171
	1800	MBh	47.5	48.4	50.7	54.1	46.4	47.3	49.5	52.8	45.3	46.1	48.3	51.6	44.2	45.0	47.1	50.3	42.0	42.8	44.8	47.8	38.9	39.6	41.5	44.3	
		S/T	1.00	0.97	0.88	0.71	1.00	1.00	0.91	0.74	1.00	1.00	0.93	0.76	1.00	1.00	0.96	0.78	1.00	1.00	0.95	0.77	1.00	1.00	0.96	0.78	
	85	1400	ΔT	24	24	23	20	24	24	23	20	23	24	23	20	23	23	23	20	21	22	23	20	20	20	21	18
			kW	3.34	3.40	3.50	3.61	3.58	3.65	3.76	3.88	3.79	3.87	3.99	4.11	3.98	4.06	4.19	4.32	4.14	4.23	4.36	4.50	4.28	4.37	4.51	4.65
		1600	Amps	12.4	12.7	13.1	13.6	13.4	13.7	14.2	14.7	14.6	14.9	15.4	16.0	15.6	16.0	16.5	17.1	16.6	17.0	17.6	18.2	17.6	18.0	18.6	19.3
			Hi PR	230	248	262	273	258	278	294	306	294	316	334	348	335	360	380	397	376	405	428	446	416	448	473	493
1800		Lo PR	112	119	130	138	118	126	137	146	123	131	143	152	129	137	150	160	135	144	157	167	140	149	163	173	

IDB: Entering Indoor Dry Bulb Temperature
 High and low pressures are measured at the liquid and suction service valves.
 Shaded area reflects AHRI conditions
 Amps = outdoor unit amps (comp.+fan)
 kW = Total system power

EXPANDED COOLING DATA — GSX130601A* / CA*F4860*6**

IDB	AIRFLOW	OUTDOOR AMBIENT TEMPERATURE																								
		65°F				75°F				85°F				95°F				105°F				115°F				
		59	63	67	71	59	63	67	71	59	63	67	71	59	63	67	71	59	63	67	71	59	63	67	71	
70	1913	MBh	55.9	57.9	63.4	-	54.6	56.5	62.0	-	53.3	55.2	60.5	-	52.0	53.9	59.0	-	49.4	51.2	56.1	-	45.7	47.4	51.9	-
		S/T	0.70	0.59	0.41	-	0.73	0.61	0.42	-	0.75	0.62	0.43	-	0.77	0.64	0.45	-	0.80	0.67	0.46	-	0.81	0.67	0.47	-
		ΔT	19	16	12	-	19	17	13	-	19	17	13	-	19	17	13	-	19	16	12	-	18	15	12	-
	1700	kW	3.98	4.06	4.19	-	4.28	4.37	4.51	-	4.55	4.65	4.79	-	4.78	4.89	5.05	-	4.98	5.09	5.26	-	5.16	5.27	5.45	-
		Amps	14.8	15.2	15.7	-	16.1	16.5	17.0	-	17.5	18.0	18.6	-	18.8	19.2	19.9	-	20.0	20.5	21.2	-	21.2	21.8	22.5	-
		Hi PR	233	251	265	-	262	281	297	-	297	320	338	-	339	365	385	-	381	410	433	-	421	453	479	-
	1488	Lo PR	102	108	118	-	108	115	125	-	112	119	130	-	118	125	137	-	123	131	143	-	127	136	148	-
		MBh	54.2	56.2	61.6	-	53.0	54.9	60.1	-	51.7	53.6	58.7	-	50.4	52.3	57.3	-	47.9	49.7	54.4	-	44.4	46.0	50.4	-
		S/T	0.67	0.56	0.39	-	0.69	0.58	0.40	-	0.71	0.60	0.41	-	0.74	0.61	0.43	-	0.76	0.64	0.44	-	0.77	0.64	0.45	-
	1488	ΔT	20	17	13	-	20	17	13	-	20	17	13	-	20	17	13	-	20	17	13	-	18	16	12	-
		kW	3.95	4.03	4.15	-	4.25	4.34	4.47	-	4.51	4.61	4.76	-	4.74	4.85	5.01	-	4.94	5.05	5.22	-	5.11	5.23	5.40	-
		Amps	14.7	15.0	15.6	-	15.9	16.3	16.9	-	17.3	17.8	18.4	-	18.6	19.1	19.7	-	19.8	20.3	21.0	-	21.0	21.6	22.3	-
1488	Hi PR	231	248	262	-	259	279	294	-	295	317	335	-	335	361	381	-	377	406	429	-	417	449	474	-	
	Lo PR	101	107	117	-	107	113	124	-	111	118	129	-	116	124	135	-	122	130	142	-	126	134	147	-	
	MBh	50.1	51.9	56.8	-	48.9	50.7	55.5	-	47.7	49.5	54.2	-	46.6	48.3	52.9	-	44.2	45.8	50.2	-	41.0	42.5	46.5	-	
1488	S/T	0.65	0.54	0.37	-	0.67	0.56	0.39	-	0.69	0.57	0.40	-	0.71	0.59	0.41	-	0.74	0.61	0.43	-	0.74	0.62	0.43	-	
	ΔT	20	17	13	-	20	18	13	-	20	18	13	-	20	18	13	-	20	17	13	-	19	16	12	-	
	kW	3.85	3.93	4.05	-	4.14	4.23	4.36	-	4.40	4.49	4.64	-	4.63	4.73	4.88	-	4.82	4.93	5.09	-	4.99	5.10	5.26	-	
1488	Amps	14.3	14.6	15.1	-	15.5	15.9	16.4	-	16.9	17.3	17.9	-	18.1	18.5	19.2	-	19.3	19.7	20.4	-	20.4	21.0	21.7	-	
	Hi PR	224	241	254	-	251	270	285	-	286	307	325	-	325	350	370	-	366	394	416	-	404	435	460	-	
	Lo PR	98	104	114	-	103	110	120	-	108	114	125	-	113	120	131	-	118	126	137	-	122	130	142	-	

75	1913	MBh	56.8	58.5	63.3	67.9	55.5	57.1	61.8	66.4	54.2	55.8	60.4	64.8	52.8	54.4	58.9	63.2	50.2	51.7	55.9	60.0	46.5	47.9	51.8	55.6
		S/T	0.80	0.71	0.54	0.35	0.83	0.74	0.56	0.36	0.85	0.76	0.57	0.37	0.88	0.78	0.59	0.38	0.91	0.81	0.62	0.40	0.92	0.82	0.62	0.40
		ΔT	22	20	16	11	22	20	17	12	22	20	17	12	22	21	17	12	22	20	17	11	21	19	15	11
	1700	kW	4.01	4.09	4.22	4.36	4.31	4.41	4.55	4.69	4.58	4.68	4.84	4.99	4.82	4.93	5.09	5.26	5.03	5.14	5.31	5.48	5.20	5.32	5.49	5.68
		Amps	15.0	15.3	15.9	16.5	16.2	16.6	17.2	17.9	17.7	18.1	18.8	19.5	18.9	19.4	20.1	20.9	20.2	20.7	21.4	22.3	21.5	22.0	22.8	23.7
		Hi PR	235	253	268	279	264	284	300	313	301	323	342	356	342	368	389	406	385	414	438	456	425	458	483	504
	1700	Lo PR	103	110	120	127	109	116	126	135	113	120	131	140	119	126	138	147	125	132	145	154	129	137	150	159
		MBh	55.1	56.8	61.5	66.0	53.9	55.5	60.0	64.4	52.6	54.1	58.6	62.9	51.3	52.8	57.2	61.4	48.7	50.2	54.3	58.3	45.1	46.5	50.3	54.0
		S/T	0.76	0.68	0.52	0.33	0.79	0.71	0.53	0.34	0.81	0.72	0.55	0.35	0.84	0.75	0.57	0.36	0.87	0.78	0.59	0.38	0.88	0.78	0.59	0.38
	1488	ΔT	23	21	17	12	23	21	17	12	23	21	17	12	23	21	17	12	23	21	17	12	21	20	16	11
		kW	3.98	4.06	4.19	4.32	4.28	4.37	4.51	4.66	4.55	4.65	4.80	4.95	4.78	4.89	5.05	5.22	4.98	5.09	5.26	5.44	5.16	5.27	5.45	5.63
		Amps	14.8	15.2	15.7	16.3	16.1	16.5	17.0	17.7	17.5	18.0	18.6	19.3	18.8	19.2	19.9	20.7	20.0	20.5	21.2	22.1	21.3	21.8	22.6	23.4
1488	Hi PR	233	251	265	276	262	282	297	310	298	320	338	353	339	365	385	402	381	410	433	452	421	453	479	499	
	Lo PR	102	108	118	126	108	115	125	133	112	119	130	139	118	125	137	146	123	131	143	152	128	136	148	158	
	MBh	50.9	52.4	56.7	60.9	49.7	51.2	55.4	59.5	48.5	50.0	54.1	58.1	47.3	48.8	52.8	56.6	45.0	46.3	50.1	53.8	41.7	42.9	46.4	49.8	
1488	S/T	0.73	0.66	0.50	0.32	0.76	0.68	0.52	0.33	0.78	0.70	0.53	0.34	0.81	0.72	0.55	0.35	0.84	0.75	0.57	0.36	0.84	0.75	0.57	0.37	
	ΔT	23	21	17	12	23	22	18	12	23	22	18	12	24	22	18	12	23	21	18	12	22	20	16	11	
	kW	3.88	3.96	4.09	4.22	4.18	4.27	4.40	4.54	4.44	4.53	4.68	4.83	4.67	4.77	4.92	5.08	4.86	4.97	5.13	5.30	5.03	5.14	5.31	5.49	
1488	Amps	14.4	14.8	15.3	15.9	15.6	16.0	16.6	17.2	17.0	17.4	18.0	18.8	18.2	18.7	19.3	20.1	19.4	19.9	20.6	21.4	20.6	21.2	21.9	22.8	
	Hi PR	226	243	257	268	254	273	288	301	289	311	328	342	329	354	374	390	370	398	420	438	409	440	464	484	
	Lo PR	99	105	115	122	105	111	121	129	109	116	126	134	114	121	133	141	120	127	139	148	124	132	144	153	

IDB: Entering Indoor Dry Bulb Temperature
 High and low pressures are measured at the liquid and suction service valves.
 Shaded area reflects ACCA (TVA) conditions
 Amps = outdoor unit amps (comp.+fan)
 kW = Total system power

EXPANDED COOLING DATA — GSX130601A* / CA*F4860*6** (CONT.)

IDB	AIRFLOW	OUTDOOR AMBIENT TEMPERATURE																							
		65°F				75°F				85°F				95°F				105°F				115°F			
		59	63	67	71	59	63	67	71	59	63	67	71	59	63	67	71	59	63	67	71	59	63	67	71
1913	MBh	57.8	59.1	63.1	67.5	56.5	57.7	61.6	65.9	55.1	56.3	60.2	64.3	53.8	55.0	58.7	62.8	51.1	52.2	55.8	59.6	47.3	48.4	51.7	55.2
	S/T	0.88	0.82	0.67	0.50	0.91	0.85	0.69	0.52	0.93	0.87	0.71	0.53	0.96	0.90	0.73	0.55	1.00	0.94	0.76	0.57	1.00	0.94	0.77	0.57
	ΔT	24	23	20	16	25	24	21	16	25	24	21	16	25	24	21	17	25	23	20	16	23	22	19	15
	kW	4.04	4.13	4.25	4.39	4.35	4.44	4.58	4.73	4.62	4.72	4.88	5.04	4.86	4.97	5.13	5.30	5.07	5.18	5.35	5.53	5.24	5.36	5.54	5.73
	Amps	15.1	15.5	16.0	16.6	16.4	16.8	17.4	18.0	17.9	18.3	18.9	19.7	19.1	19.6	20.3	21.1	20.4	20.9	21.6	22.5	21.7	22.2	23.0	23.9
	Hi PR	238	256	270	282	267	287	303	316	304	327	345	360	346	372	393	410	389	419	442	461	430	462	488	509
	Lo PR	104	111	121	129	110	117	128	136	114	122	133	141	120	128	139	148	126	134	146	156	130	138	151	161
	MBh	56.1	57.4	61.3	65.5	54.8	56.0	59.9	64.0	53.5	54.7	58.4	62.5	52.2	53.4	57.0	60.9	49.6	50.7	54.2	57.9	45.9	46.9	50.2	53.6
	S/T	0.84	0.78	0.64	0.48	0.87	0.81	0.66	0.49	0.89	0.83	0.68	0.51	0.92	0.86	0.70	0.52	0.95	0.89	0.73	0.54	0.96	0.90	0.73	0.55
	ΔT	25	24	21	17	26	25	21	17	26	25	21	17	26	25	22	17	26	24	21	17	24	23	20	16
kW	4.01	4.09	4.22	4.36	4.31	4.41	4.55	4.70	4.58	4.68	4.84	5.00	4.82	4.93	5.09	5.26	5.03	5.14	5.31	5.48	5.20	5.32	5.49	5.68	
Amps	15.0	15.3	15.9	16.5	16.2	16.6	17.2	17.9	17.7	18.1	18.8	19.5	18.9	19.4	20.1	20.9	20.2	20.7	21.4	22.3	21.5	22.0	22.8	23.7	
Hi PR	236	253	268	279	264	284	300	313	301	323	342	356	342	368	389	406	385	414	438	456	426	458	484	504	
Lo PR	103	110	120	127	109	116	126	135	113	120	131	140	119	126	138	147	125	132	145	154	129	137	150	159	
MBh	51.8	52.9	56.6	60.5	50.6	51.7	55.2	59.1	49.4	50.5	53.9	57.6	48.2	49.2	52.6	56.2	45.8	46.8	50.0	53.4	42.4	43.3	46.3	49.5	
S/T	0.81	0.76	0.62	0.46	0.84	0.78	0.64	0.48	0.86	0.80	0.65	0.49	0.88	0.83	0.67	0.50	0.92	0.86	0.70	0.52	0.93	0.87	0.71	0.53	
ΔT	26	25	22	17	26	25	22	17	26	25	22	17	26	25	22	18	26	24	21	17	24	23	20	16	
kW	3.91	4.00	4.12	4.25	4.21	4.30	4.44	4.58	4.47	4.57	4.72	4.87	4.70	4.81	4.96	5.13	4.90	5.01	5.17	5.35	5.07	5.18	5.35	5.53	
Amps	14.5	14.9	15.4	16.0	15.8	16.2	16.7	17.4	17.2	17.6	18.2	18.9	18.4	18.9	19.5	20.3	19.6	20.1	20.8	21.6	20.8	21.4	22.1	23.0	
Hi PR	228	246	260	271	256	276	291	304	292	314	331	346	332	357	377	394	374	402	424	443	413	444	469	489	
Lo PR	100	106	116	124	106	112	123	131	110	117	127	136	115	123	134	143	121	129	140	149	125	133	145	155	

1913	MBh	58.8	60.0	62.8	67.0	57.5	58.6	61.3	65.4	56.1	57.2	59.9	63.9	54.7	55.8	58.4	62.3	52.0	53.0	55.5	59.2	48.2	49.1	51.4	54.8
	S/T	0.92	0.89	0.80	0.65	0.95	0.92	0.83	0.67	0.98	0.94	0.85	0.69	1.00	0.97	0.88	0.71	1.00	0.91	0.71	0.74	1.00	1.00	0.92	0.75
	ΔT	26	26	24	21	26	26	24	21	26	26	24	21	26	26	25	21	25	25	24	21	23	24	23	20
	kW	4.07	4.16	4.29	4.43	4.38	4.48	4.62	4.77	4.66	4.76	4.92	5.08	4.90	5.01	5.18	5.35	5.11	5.22	5.40	5.58	5.29	5.41	5.59	5.78
	Amps	15.2	15.6	16.2	16.8	16.5	16.9	17.5	18.2	18.0	18.5	19.1	19.9	19.3	19.8	20.5	21.3	20.6	21.1	21.9	22.7	21.9	22.4	23.2	24.1
	Hi PR	240	259	273	285	270	290	306	320	307	330	348	363	349	376	397	414	393	423	446	466	434	467	493	514
	Lo PR	105	112	122	130	111	118	129	137	115	123	134	143	121	129	141	150	127	135	148	157	131	140	153	163
	MBh	57.1	58.2	61.0	65.0	55.8	56.9	59.6	63.5	54.5	55.5	58.1	62.0	53.1	54.2	56.7	60.5	50.5	51.4	53.9	57.5	46.7	47.7	49.9	53.2
	S/T	0.88	0.85	0.76	0.62	0.91	0.88	0.79	0.64	0.93	0.90	0.81	0.66	0.96	0.93	0.84	0.68	1.00	0.96	0.87	0.70	1.00	0.97	0.88	0.71
	ΔT	27	27	25	22	27	27	25	22	27	27	25	22	28	27	26	22	27	27	25	22	25	25	24	20
kW	4.04	4.13	4.25	4.39	4.35	4.44	4.58	4.73	4.62	4.72	4.88	5.04	4.86	4.97	5.13	5.30	5.07	5.18	5.35	5.53	5.24	5.36	5.54	5.73	
Amps	15.1	15.5	16.0	16.6	16.4	16.8	17.4	18.0	17.9	18.3	18.9	19.7	19.1	19.6	20.3	21.1	20.4	20.9	21.6	22.5	21.7	22.2	23.0	23.9	
Hi PR	238	256	270	282	267	287	303	316	304	327	345	360	346	372	393	410	389	419	442	461	430	462	488	509	
Lo PR	104	111	121	129	110	117	128	136	114	122	133	141	120	128	139	148	126	134	146	156	130	138	151	161	
MBh	52.7	53.7	56.3	60.0	51.5	52.5	55.0	58.6	50.3	51.2	53.7	57.2	49.0	50.0	52.3	55.8	46.6	47.5	49.7	53.1	43.1	44.0	46.1	49.1	
S/T	0.85	0.82	0.74	0.60	0.88	0.85	0.76	0.62	0.90	0.87	0.78	0.63	0.93	0.89	0.81	0.65	0.96	0.93	0.84	0.68	0.97	0.94	0.84	0.69	
ΔT	28	27	26	22	28	27	26	22	28	27	26	22	28	28	26	23	28	27	26	22	26	25	24	21	
kW	3.94	4.03	4.15	4.28	4.24	4.33	4.47	4.62	4.51	4.61	4.75	4.91	4.74	4.85	5.00	5.17	4.94	5.05	5.22	5.39	5.11	5.23	5.40	5.58	
Amps	14.7	15.0	15.6	16.2	15.9	16.3	16.9	17.5	17.3	17.8	18.4	19.1	18.6	19.1	19.7	20.5	19.8	20.3	21.0	21.9	21.0	21.6	22.3	23.2	
Hi PR	231	248	262	273	259	279	294	307	294	317	335	349	335	361	381	397	377	406	429	447	417	449	474	494	
Lo PR	101	107	117	125	107	113	124	132	111	118	129	137	116	124	135	144	122	130	142	151	126	134	147	156	

IDB: Entering Indoor Dry Bulb Temperature
 High and low pressures are measured at the liquid and suction service valves.
 Shaded area reflects AHRI conditions
 Amps = outdoor unit amps (comp.+fan)
 kW = Total system power

EXPANDED COOLING DATA — GSX130601B* / CA*F4961*6A*

IDB	AIRFLOW	OUTDOOR AMBIENT TEMPERATURE												ENTERING INDOOR WET BULB TEMPERATURE											
		65°F				75°F				85°F				95°F				105°F				115°F			
		59	63	67	71	59	63	67	71	59	63	67	71	59	63	67	71	59	63	67	71	59	63	67	71
70	MBh	50.1	51.9	56.8	-	48.9	50.7	55.5	-	47.7	49.5	54.2	-	46.6	48.3	52.9	-	44.2	45.8	50.2	-	41.0	42.5	46.5	-
	S/T	0.67	0.56	0.39	-	0.69	0.58	0.40	-	0.71	0.59	0.41	-	0.73	0.61	0.42	-	0.76	0.64	0.44	-	0.77	0.64	0.44	-
	ΔT	21	18	13	-	21	18	14	-	21	18	14	-	21	18	14	-	21	18	14	-	19	17	13	-
	kW	3.87	3.95	4.07	-	4.16	4.24	4.38	-	4.41	4.50	4.65	-	4.63	4.73	4.89	-	4.82	4.93	5.09	-	4.99	5.10	5.26	-
	Amps	14.4	14.8	15.3	-	15.6	16.0	16.5	-	17.0	17.4	18.0	-	18.2	18.6	19.2	-	19.3	19.8	20.5	-	20.5	21.0	21.7	-
	HI PR	229	246	260	-	257	276	292	-	292	314	332	-	333	358	378	-	374	403	425	-	413	445	470	-
	LO PR	101	108	118	-	107	114	125	-	111	119	129	-	117	125	136	-	123	130	142	-	127	135	147	-
	MBh	54.2	56.2	61.6	-	53.0	54.9	60.1	-	51.7	53.6	58.7	-	50.4	52.3	57.3	-	47.9	49.7	54.4	-	44.4	46.0	50.4	-
	S/T	0.69	0.58	0.40	-	0.72	0.60	0.42	-	0.74	0.62	0.43	-	0.76	0.64	0.44	-	0.79	0.66	0.46	-	0.80	0.66	0.46	-
	ΔT	20	17	13	-	20	17	13	-	20	17	13	-	20	17	13	-	20	17	13	-	19	16	12	-
	kW	3.96	4.04	4.17	-	4.26	4.35	4.48	-	4.52	4.62	4.76	-	4.75	4.85	5.01	-	4.95	5.05	5.22	-	5.12	5.23	5.40	-
	Amps	14.8	15.2	15.7	-	16.1	16.4	17.0	-	17.5	17.9	18.5	-	18.7	19.1	19.8	-	19.9	20.4	21.1	-	21.1	21.6	22.4	-
HI PR	236	254	268	-	265	285	301	-	301	324	342	-	343	369	390	-	386	415	438	-	426	459	484	-	
LO PR	105	111	122	-	111	118	128	-	115	122	133	-	121	128	140	-	126	135	147	-	131	139	152	-	
MBh	55.9	57.9	63.4	-	54.6	56.5	62.0	-	53.3	55.2	60.5	-	52.0	53.9	59.0	-	49.4	51.2	56.1	-	45.7	47.4	51.9	-	
S/T	0.73	0.61	0.42	-	0.75	0.63	0.44	-	0.77	0.65	0.45	-	0.80	0.67	0.46	-	0.83	0.69	0.48	-	0.83	0.70	0.48	-	
ΔT	19	16	12	-	19	16	12	-	19	16	12	-	19	16	13	-	19	16	12	-	18	15	12	-	
kW	3.99	4.07	4.20	-	4.29	4.38	4.52	-	4.56	4.65	4.80	-	4.79	4.89	5.05	-	4.99	5.10	5.26	-	5.16	5.27	5.44	-	
Amps	15.0	15.3	15.8	-	16.2	16.6	17.2	-	17.6	18.1	18.7	-	18.9	19.3	20.0	-	20.1	20.6	21.3	-	21.3	21.8	22.6	-	
HI PR	238	256	271	-	267	288	304	-	304	327	346	-	346	373	394	-	390	419	443	-	430	463	489	-	
LO PR	106	112	123	-	112	119	130	-	116	123	135	-	122	130	142	-	128	136	148	-	132	141	153	-	

75	MBh	50.9	52.4	56.7	60.9	49.7	51.2	55.4	59.5	48.5	50.0	54.1	58.1	47.3	48.8	52.8	56.6	45.0	46.3	50.1	53.8	41.7	42.9	46.4	49.8
	S/T	0.76	0.68	0.51	0.33	0.79	0.70	0.53	0.34	0.81	0.72	0.55	0.35	0.83	0.75	0.56	0.36	0.87	0.77	0.59	0.38	0.87	0.78	0.59	0.38
	ΔT	24	22	18	12	24	22	18	13	24	22	18	13	24	22	18	13	24	22	18	12	22	21	17	12
	kW	3.90	3.98	4.10	4.23	4.19	4.28	4.41	4.55	4.45	4.54	4.68	4.84	4.67	4.77	4.93	5.09	4.86	4.97	5.13	5.30	5.03	5.14	5.31	5.48
	Amps	14.6	14.9	15.4	16.0	15.8	16.1	16.7	17.3	17.1	17.6	18.1	18.8	18.3	18.8	19.4	20.2	19.5	20.0	20.7	21.5	20.7	21.2	21.9	22.8
	HI PR	231	249	263	274	259	279	295	307	295	317	335	350	336	362	382	398	378	407	430	448	418	449	475	495
	LO PR	103	109	119	127	108	115	126	134	113	120	131	139	118	126	137	146	124	132	144	153	128	136	149	159
	MBh	55.1	56.8	61.5	66.0	53.9	55.5	60.0	64.4	52.6	54.1	58.6	62.9	51.3	52.8	57.2	61.4	48.7	50.2	54.3	58.3	45.1	46.5	50.3	54.0
	S/T	0.79	0.71	0.53	0.34	0.82	0.73	0.55	0.36	0.84	0.75	0.57	0.36	0.86	0.77	0.59	0.38	0.90	0.80	0.61	0.39	0.91	0.81	0.61	0.39
	ΔT	23	21	17	12	23	21	17	12	23	21	17	12	23	21	18	12	23	21	17	12	21	20	16	11
	kW	3.99	4.07	4.20	4.33	4.29	4.38	4.52	4.66	4.56	4.65	4.80	4.96	4.79	4.89	5.05	5.22	4.99	5.10	5.26	5.44	5.16	5.27	5.44	5.63
	Amps	15.0	15.3	15.8	16.4	16.2	16.6	17.2	17.8	17.6	18.1	18.7	19.4	18.9	19.3	20.0	20.8	20.1	20.6	21.3	22.1	21.3	21.8	22.6	23.5
HI PR	238	256	271	282	267	288	304	317	304	327	346	360	346	373	394	411	390	419	443	462	431	463	489	510	
LO PR	106	112	123	131	112	119	130	138	116	123	135	144	122	130	142	151	128	136	148	158	132	141	153	163	
MBh	56.8	58.5	63.3	67.9	55.5	57.1	61.8	66.4	54.2	55.8	60.4	64.8	52.8	54.4	58.9	63.2	50.2	51.7	55.9	60.0	46.5	47.9	51.8	55.6	
S/T	0.83	0.74	0.56	0.36	0.86	0.77	0.58	0.37	0.88	0.79	0.59	0.38	0.91	0.81	0.61	0.39	0.94	0.84	0.64	0.41	0.95	0.85	0.64	0.41	
ΔT	22	20	16	11	22	20	16	11	22	20	16	11	22	20	17	11	22	20	16	11	20	19	15	11	
kW	4.02	4.11	4.23	4.37	4.33	4.42	4.56	4.70	4.59	4.69	4.84	5.00	4.83	4.93	5.09	5.26	5.03	5.14	5.31	5.48	5.20	5.32	5.49	5.67	
Amps	15.1	15.5	16.0	16.6	16.4	16.8	17.3	18.0	17.8	18.2	18.8	19.6	19.0	19.5	20.2	20.9	20.3	20.8	21.5	22.3	21.5	22.0	22.8	23.7	
HI PR	241	259	274	285	270	291	307	320	307	331	349	364	350	376	398	415	394	424	447	466	435	468	494	515	
LO PR	107	114	124	132	113	120	131	139	117	125	136	145	123	131	143	152	129	137	150	160	133	142	155	165	

IDB: Entering Indoor Dry Bulb Temperature
 High and low pressures are measured at the liquid and suction service valves.
 Shaded area reflects ACCA (TVA) conditions
 Amps = outdoor unit amps (comp.+fan)
 kW = Total system power

EXPANDED COOLING DATA — GSX130601B* / CA*F4961*6A* (CONT.)

IDB	AIRFLOW	OUTDOOR AMBIENT TEMPERATURE												ENTERING INDOOR WET BULB TEMPERATURE													
		65°F				75°F				85°F				95°F				105°F				115°F					
		59	63	67	71	59	63	67	71	59	63	67	71	59	63	67	71	59	63	67	71	59	63	67	71		
80	1500	MBh	51.8	52.9	56.6	60.5	50.6	51.7	55.2	59.1	49.4	50.5	53.9	57.6	48.2	49.2	52.6	56.2	45.8	46.8	50.0	53.4	42.4	43.3	46.3	49.5	
		S/T	0.83	0.78	0.64	0.48	0.86	0.81	0.66	0.49	0.89	0.83	0.68	0.51	0.91	0.86	0.70	0.52	0.95	0.89	0.72	0.54	0.96	0.90	0.73	0.55	
		ΔT	26	25	22	18	27	26	22	18	27	26	22	18	27	26	23	18	27	26	22	18	25	24	21	17	
	1750	kW	3.93	4.01	4.13	4.26	4.22	4.31	4.45	4.59	4.48	4.58	4.72	4.88	4.71	4.81	4.97	5.13	4.90	5.01	5.17	5.34	5.07	5.18	5.35	5.53	
		Amps	14.7	15.1	15.6	16.1	15.9	16.3	16.8	17.5	17.3	17.7	18.3	19.0	18.5	19.0	19.6	20.4	19.7	20.2	20.9	21.7	20.9	21.4	22.2	23.0	
		HI PR	234	251	265	277	262	282	298	311	298	321	339	353	339	365	386	402	382	411	434	453	422	454	479	500	
	2000	LO PR	104	110	120	128	109	116	127	135	114	121	132	141	119	127	139	148	125	133	145	155	129	138	150	160	
		MBh	56.1	57.4	61.3	65.5	54.8	56.0	59.9	64.0	53.5	54.7	58.4	62.5	52.2	53.4	57.0	60.9	49.6	50.7	54.2	57.9	45.9	46.9	50.2	53.6	
		S/T	0.86	0.81	0.66	0.49	0.90	0.84	0.68	0.51	0.92	0.86	0.70	0.52	0.95	0.89	0.72	0.54	0.98	0.92	0.75	0.56	0.99	0.93	0.76	0.57	
	85	1500	ΔT	25	24	21	17	26	25	22	17	26	25	22	17	26	25	22	17	26	25	21	17	24	23	20	16
			kW	4.02	4.11	4.23	4.37	4.33	4.42	4.56	4.70	4.59	4.69	4.84	5.00	4.83	4.93	5.09	5.26	5.03	5.14	5.31	5.48	5.20	5.32	5.49	5.67
			Amps	15.1	15.5	16.0	16.6	16.4	16.8	17.3	18.0	17.8	18.2	18.8	19.6	19.0	19.5	20.2	20.9	20.3	20.8	21.5	22.3	21.5	22.0	22.8	23.7
1750		HI PR	241	259	274	285	270	291	307	320	307	331	349	364	350	377	398	415	394	424	447	467	435	468	494	515	
		LO PR	107	114	124	132	113	120	131	140	117	125	136	145	123	131	143	152	129	137	150	160	133	142	155	165	
		MBh	57.8	59.1	63.1	67.5	56.5	57.7	61.6	65.9	55.1	56.3	60.2	64.3	53.8	55.0	58.7	62.8	51.1	52.2	55.8	59.6	47.3	48.4	51.7	55.2	
2000		S/T	0.91	0.85	0.69	0.52	0.94	0.88	0.72	0.54	0.96	0.90	0.74	0.55	1.00	0.93	0.76	0.57	1.00	0.97	0.79	0.59	1.00	1.00	0.79	0.59	
		ΔT	24	23	20	16	24	23	20	16	24	23	20	16	25	24	20	16	25	24	20	16	22	22	19	15	
		kW	4.05	4.14	4.27	4.40	4.36	4.45	4.59	4.74	4.63	4.73	4.88	5.04	4.87	4.97	5.13	5.30	5.07	5.18	5.35	5.53	5.24	5.36	5.54	5.72	
85		1500	Amps	15.2	15.6	16.1	16.7	16.5	16.9	17.5	18.1	18.0	18.4	19.0	19.8	19.2	19.7	20.4	21.1	20.5	21.0	21.7	22.5	21.7	22.3	23.0	23.9
			HI PR	236	254	268	280	265	285	301	314	301	324	342	357	343	369	390	406	386	415	438	457	426	459	484	505
			LO PR	105	111	121	129	110	118	128	137	115	122	133	142	121	128	140	149	126	134	147	156	131	139	152	162
	1750	MBh	57.1	58.2	61.0	65.0	55.8	56.9	59.6	63.5	54.5	55.5	58.1	62.0	53.1	54.2	56.7	60.5	50.5	51.4	53.9	57.5	46.7	47.7	49.9	53.2	
		S/T	0.91	0.87	0.79	0.64	0.94	0.91	0.82	0.66	0.96	0.93	0.84	0.68	0.99	0.96	0.87	0.70	1.00	1.00	0.90	0.73	1.00	1.00	0.91	0.74	
		ΔT	27	27	25	22	28	27	26	22	28	27	26	22	28	27	26	22	27	27	25	22	25	25	24	21	
	2000	kW	4.05	4.14	4.27	4.40	4.36	4.45	4.59	4.74	4.63	4.73	4.88	5.04	4.87	4.97	5.13	5.30	5.07	5.18	5.35	5.53	5.24	5.36	5.54	5.72	
		Amps	15.2	15.6	16.1	16.7	16.5	16.9	17.5	18.1	18.0	18.4	19.0	19.8	19.2	19.7	20.4	21.1	20.5	21.0	21.7	22.5	21.7	22.3	23.0	23.9	
		HI PR	243	262	276	288	273	294	310	323	310	334	353	368	353	380	402	419	398	428	452	471	439	473	499	521	
	2000	LO PR	108	115	125	133	114	121	132	141	118	126	137	146	124	132	144	154	130	139	151	161	135	143	157	167	
		MBh	58.8	60.0	62.8	67.0	57.5	58.6	61.3	65.4	56.1	57.2	59.9	63.9	54.7	55.8	58.4	62.3	52.0	53.0	55.5	59.2	48.2	49.1	51.4	54.8	
		S/T	0.95	0.92	0.83	0.67	0.99	0.95	0.86	0.70	1.00	0.97	0.88	0.71	1.00	1.00	0.91	0.74	1.00	1.00	0.94	0.76	1.00	1.00	0.95	0.77	
2000	ΔT	26	25	24	21	26	26	24	21	26	26	24	21	25	26	24	21	24	24	24	21	22	23	22	19		
	kW	4.09	4.17	4.30	4.44	4.39	4.49	4.63	4.78	4.67	4.77	4.92	5.08	4.91	5.01	5.18	5.35	5.11	5.22	5.39	5.57	5.29	5.40	5.58	5.77		
	Amps	15.4	15.8	16.3	16.9	16.7	17.1	17.6	18.3	18.1	18.6	19.2	19.9	19.4	19.9	20.6	21.3	20.7	21.2	21.9	22.7	21.9	22.5	23.2	24.1		
2000	HI PR	246	264	279	291	276	297	313	327	313	337	356	371	357	384	406	423	402	432	456	476	444	477	504	526		
	LO PR	109	116	126	135	115	122	134	142	120	127	139	148	126	134	146	155	132	140	153	163	136	145	158	168		

Amps = outdoor unit amps (comp. + fan)
kW = Total system power

Shaded area reflects AHRI conditions

IDB: Entering Indoor Dry Bulb Temperature
High and low pressures are measured at the liquid and suction service valves.

AHRI PERFORMANCE RATINGS

OUTDOOR UNIT	INDOOR UNITS		COOLING CAPACITY (BTU/H)		SEER ¹	EER ²	AHRI #
	COILZ & AIR HANDLERS	FURNACE/ BLOWER	TOTAL	SENSIBLE			
GSX13 0181B*	ACNF18XX16A*		17,200	12,400	13.0	11.0	3080551
	ADPF182416B*		18,000	13,000	13.0	11.0	3080552
	AEPF183016C*		18,000	13,000	14.0	11.6	3080553
	AR*F182416B*		18,000	13,000	13.0	11.0	3080554
	ASPF183016B*		19,000	13,700	14.0	12.2	3080555
	AT*F182416A*		18,000	13,000	13.0	11.0	3080556
	AWUF18XX16A*		17,400	12,500	13.0	11.0	3080557
	AWUF18XX16B*		17,400	12,500	13.0	11.0	3570284
	CA*F1824*6B*	G*V950453B**	18,000	13,000	14.0	11.6	3080558
	CA*F1824*6B*	G*V90704C**	18,000	13,000	14.0	11.6	3080560
	CA*F1824*6B*	G*E80704B**	18,000	13,000	14.0	11.6	3080561
	CA*F1824*6B*	G*VC90704CXA*	18,000	13,000	14.0	11.6	3597595
	CA*F1824*6B*	G*VC950453BXA*	18,000	13,000	14.0	11.6	3597954
	CA*F1824*6B*	G*E80703B**	18,000	13,000	14.0	11.6	3603129
	CA*F1824*6B*+EEP		18,000	13,000	13.0	11.0	3080562
	CA*F1824*6B*	MBE1200**-1	18,400	13,200	14.0	11.6	3080563
	CA*F1824*6B*	MBVC1200**-1A*	18,400	13,200	14.0	11.6	3609426
	CA*F1824*6C*	G*E80704B**	18,000	13,000	14.0	11.6	3599639
	CA*F1824*6C*	G*V90704C**	18,000	13,000	14.0	11.6	3599640
	CA*F1824*6C*	G*V950453B**	18,000	13,000	14.0	11.6	3599641
	CA*F1824*6C*	G*E80703B**	18,000	13,000	14.0	11.6	3603233
	CA*F1824*6C*+EEP		18,000	13,000	13.0	11.0	3599645
	CA*F1824*6C*	MBE1200**-1B*	18,400	13,200	14.0	11.6	3599647
	CA*F1824*6C*	MBVC1200**-1A*	18,400	13,200	14.0	11.6	3609428
	CHPF1824A6B*+EEP		18,000	13,000	13.0	11.0	3080564
	CHPF1824A6C*+EEP		18,000	13,000	13.0	11.0	3299968
	CHPF2430B6B*	G*E80704B**	18,400	13,200	14.0	11.6	3080567
	CHPF2430B6B*	G*V950453B**	18,400	13,200	14.0	11.6	3080568
	CHPF2430B6B*	G*VC950453BXA*	18,400	13,200	14.0	11.6	3597971
	CHPF2430B6B*	G*E80703B**	18,400	13,200	14.0	11.6	3603141
	CHPF2430B6B*+EEP		18,000	13,000	13.0	11.0	3080565
	CHPF2430B6B*	MBE1200**-1A*	18,400	13,200	14.0	11.6	3080569
	CHPF2430B6C*	G*E80704B**	18,400	13,200	14.0	11.6	3299969
	CHPF2430B6C*	G*V950453B**	18,400	13,200	14.0	11.6	3299971
	CHPF2430B6C*	G*VC950453BXA*	18,400	13,200	14.0	11.6	3597972
	CHPF2430B6C*	G*E80703B**	18,400	13,200	14.0	11.6	3603139
	CHPF2430B6C*+EEP		18,000	13,000	13.0	11.0	3299972
	CHPF2430B6C*	MBE1200**-1B*	18,400	13,200	14.0	11.6	3300149
	CHPF2430B6C*	MBVC1200**-1A*	18,400	13,200	14.0	11.6	3609429
	CSCF1824N6B*	G*V950453B**	18,000	13,000	14.0	11.6	3080570
	CSCF1824N6B*	G*V90704C**	18,000	13,000	14.0	11.6	3080571
	CSCF1824N6B*	G*E80704B**	18,000	13,000	14.0	11.6	3080573
	CSCF1824N6B*	G*VC90704CXA*	18,000	13,000	14.0	11.6	3597596
	CSCF1824N6B*	G*VC950453BXA*	18,000	13,000	14.0	11.6	3597955
	CSCF1824N6B*	G*E80703B**	18,000	13,000	14.0	11.6	3603124
	CSCF1824N6B*+EEP		18,000	13,000	13.0	11.0	3080574
	CT*F1824*6A*	G*E80704B**	18,000	13,000	14.0	11.6	3080575
	CT*F1824*6A*	G*V950453B**	18,000	13,000	14.0	11.6	3080576
	CT*F1824*6A*	G*VC950453BXA*	18,000	13,000	14.0	11.6	3597956
	CT*F1824*6A*	G*E80703B**	18,000	13,000	14.0	11.6	3603125
CT*F1824*6A*+EEP		18,000	13,000	13.0	11.0	3080578	
CT*F1824*6A*	MBE1200**-1	18,400	13,200	14.0	11.6	3080579	
CT*F1824*6A*	MBVC1200**-1A*	18,400	13,200	14.0	11.6	3609430	

See Notes on Page 36.

AHRI PERFORMANCE RATINGS (CONT.)

OUTDOOR UNIT	INDOOR UNITS		COOLING CAPACITY (BTU/H)		SEER ¹	EER ²	AHRI #
	COIL & AIR HANDLERS	FURNACE/ BLOWER	TOTAL	SENSIBLE			
GSX13 0181C*	ACNF18XX16A*		17,200	12,700	13.0	11.0	3873372
	ADPF182416B*		18,000	13,300	13.0	11.0	3873373
	ADPF182416C*		18,000	13,300	13.0	11.0	3896043
	AEPF183016C*		18,000	13,300	14.0	11.6	3873374
	AR*F182416B*		18,000	13,300	13.0	11.0	3873375
	AR*F182416C*		18,000	13,300	13.0	11.0	3896044
	ASPF183016B*		19,000	14,100	14.0	11.6	3873376
	AT*F182416A*		18,000	13,300	13.0	11.0	3873377
	AWUF18XX16B*		17,400	12,900	13.0	11.0	3873378
	AWUF31XX16A*		17,400	12,900	14.0	11.5	3873379
	CA*F1824*6B*	G*E80704B***	18,000	13,300	14.0	11.6	3873381
	CA*F1824*6B*	G*V80704B***	18,000	13,300	14.0	11.6	3873382
	CA*F1824*6B*	G*VC80704B***	18,000	13,300	14.0	11.6	3873383
	CA*F1824*6B*	G*VC950453B***	18,000	13,300	14.0	11.6	3873384
	CA*F1824*6B*	G*E80703B***	18,000	13,300	14.0	11.6	3873380
	CA*F1824*6B*+EEP		18,000	13,300	13.0	11.0	3873385
	CA*F1824*6B*	MBE1200**-1B*	18,400	13,600	14.0	11.6	3873386
	CA*F1824*6B*	MBVC1200**-1A*	18,400	13,600	14.0	11.6	3873387
	CA*F1824*6C*	G*E80703B***	18,000	13,300	14.0	11.6	3873388
	CA*F1824*6C*	G*E80704B***	18,000	13,300	14.0	11.6	3873389
	CA*F1824*6C*+EEP		18,000	13,300	13.0	11.0	3873390
	CA*F1824*6C*	MBE1200**-1B*	18,400	13,600	14.0	11.6	3873391
	CA*F1824*6C*	MBVC1200**-1A*	18,400	13,600	14.0	11.6	3873392
	CHPF1824A6C*+EEP		18,000	13,300	13.0	11.0	3873393
	CHPF2430B6C*	G*VC950453B***	18,400	13,600	14.0	11.6	3873398
	CHPF2430B6C*	G*E80704B***	18,400	13,600	14.0	11.6	3873395
	CHPF2430B6C*	G*V80704B***	18,400	13,600	14.0	11.6	3873396
	CHPF2430B6C*	G*VC80704B***	18,400	13,600	14.0	11.6	3873397
	CHPF2430B6C*	G*E80703B***	18,400	13,600	14.0	11.6	3873394
	CHPF2430B6C*+EEP		18,000	13,300	13.0	11.0	3873399
	CHPF2430B6C*	MBE1200**-1B*	18,400	13,600	14.0	11.6	3873400
	CHPF2430B6C*	MBVC1200**-1A*	18,400	13,600	14.0	11.6	3873401
	CSCF1824N6B*	G*E80703B***	18,000	13,300	14.0	11.6	3873402
	CSCF1824N6B*	G*E80704B***	18,000	13,300	14.0	11.6	3873403
	CSCF1824N6B*	G*V80704B***	18,000	13,300	14.0	11.6	3873404
	CSCF1824N6B*	G*VC80704B***	18,000	13,300	14.0	11.6	3873405
	CSCF1824N6B*	G*VC950453B*A*	18,000	13,300	14.0	11.6	3873406
	CSCF1824N6B*+EEP		18,000	13,300	13.0	11.0	3873407
	CT*F1824*6A*	G*E80704B***	18,000	13,300	14.0	11.6	3873409
	CT*F1824*6A*	G*V80704B***	18,000	13,300	14.0	11.6	3873410
	CT*F1824*6A*	G*VC80704B***	18,000	13,300	14.0	11.6	3873411
	CT*F1824*6A*	G*VC950453B*A*	18,000	13,300	14.0	11.6	3873412
	CT*F1824*6A*	G*E80703B***	18,000	13,300	14.0	11.6	3873408
	CT*F1824*6A*+EEP		18,000	13,300	13.0	11.0	3873413
	CT*F1824*6A*	MBE1200**-1B*	18,400	13,600	14.0	11.6	3873414
	CT*F1824*6A*	MBVC1200**-1A*	18,400	13,600	14.0	11.6	3873415

See Notes on Page 36.

AHRI PERFORMANCE RATINGS (CONT.)

OUTDOOR UNIT	INDOOR UNITS		COOLING CAPACITY (BTU/H)		SEER ¹	EER ²	AHRI #
	COILZ & AIR HANDLERS	FURNACE/ BLOWER	TOTAL	SENSIBLE			
GSX13 0241B*	ACNF24XX16A*		23,000	16,800	13.0	11.0	3080580
	ADPF182416B*		23,000	16,800	13.0	11.0	3080581
	AEPF183016C*		23,400	17,100	14.0	11.6	3080582
	AR*F182416B*		23,000	16,800	13.0	11.0	3080583
	ASPF183016B*		23,400	17,100	14.0	11.6	3080584
	AT*F182416A*		23,000	16,800	13.0	11.0	3080585
	AWUF24XX16A*		23,000	16,800	13.0	11.0	3080586
	AWUF30XX16A*		23,200	16,900	13.0	11.0	3080587
	AWUF30XX16B*		23,200	16,900	13.0	11.0	3287811
	CA*F1824*6B*	G*V950453B**	23,000	16,800	14.0	11.6	3080588
	CA*F1824*6B*	G*E80704B**	23,000	16,800	14.0	11.6	3080589
	CA*F1824*6B*	G*V950704C**	23,000	16,800	14.0	11.6	3080590
	CA*F1824*6B*	G*VC950453BXA*	23,000	16,800	14.0	11.6	3598009
	CA*F1824*6B*	G*VC950704CXA*	23,000	16,800	14.0	11.6	3598202
	CA*F1824*6B*	G*E80703B**	23,000	16,800	14.0	11.6	3603130
	CA*F1824*6B*+EEP		23,000	16,800	13.0	11.0	3080592
	CA*F1824*6B*+	MBE1200**-1	23,000	16,800	14.0	11.6	3080593
	CA*F1824*6B*	MBVC1200**-1A*	23,000	16,800	14.0	11.6	3609431
	CA*F1824*6C*	G*E80704B**	23,000	16,800	14.0	11.6	3599642
	CA*F1824*6C*	G*V950453B**	23,000	16,800	14.0	11.6	3599643
	CA*F1824*6C*	G*V950704C**	23,000	16,800	14.0	11.6	3599644
	CA*F1824*6C*	G*E80703B**	23,000	16,800	14.0	11.6	3603232
	CA*F1824*6C*+EEP		23,000	16,800	13.0	11.0	3599646
	CA*F1824*6C*	MBE1200**-1B*	23,000	16,800	14.0	11.6	3599648
	CA*F1824*6C*	MBVC1200**-1A*	23,000	16,800	14.0	11.6	3609433
	CHPF1824A6B*+EEP		23,000	16,800	13.0	11.0	3080594
	CHPF1824A6C*+EEP		23,000	16,800	13.0	11.0	3299973
	CHPF2430B6B*	G*E80704B**	23,400	17,100	14.0	11.6	3080595
	CHPF2430B6B*	G*V950453B**	23,400	17,100	14.0	11.6	3080596
	CHPF2430B6B*	G*VC950453BXA*	23,400	17,100	14.0	11.6	3598012
	CHPF2430B6B*	G*E80703B**	23,400	17,100	14.0	11.6	3603126
	CHPF2430B6B*+EEP		23,000	16,800	13.0	11.0	3080610
	CHPF2430B6B*	MBE1200**-1A*	23,400	17,100	14.0	11.6	3080598
	CHPF2430B6C*	G*E80704B**	23,400	17,100	14.0	11.6	3299974
	CHPF2430B6C*	G*V950453B**	23,400	17,100	14.0	11.6	3299976
	CHPF2430B6C*	G*VC950453BXA*	23,400	17,100	14.0	11.6	3598013
	CHPF2430B6C*	G*E80703B**	23,400	17,100	14.0	11.6	3603160
	CHPF2430B6C*+EEP		23,000	16,800	13.0	11.0	3299977
	CHPF2430B6C*	MBE1200**-1B*	23,400	17,100	14.0	11.6	3300150
	CHPF2430B6C*	MBVC1200**-1A*	23,400	17,100	14.0	11.6	3609434
	CSCF1824N6B*	G*V90704C**	23,000	16,800	14.0	11.6	3080600
	CSCF1824N6B*	G*E80704B**	23,000	16,800	13.0	11.0	3080601
	CSCF1824N6B*	G*V950453B**	23,000	16,800	14.0	11.6	3080602
	CSCF1824N6B*	G*VC90704CXA*	23,000	16,800	14.0	11.6	3597627
	CSCF1824N6B*	G*VC950453BXA*	23,000	16,800	14.0	11.6	3598010
	CSCF1824N6B*	G*E80703B**	23,000	16,800	13.0	11.0	3603142
	CSCF1824N6B*+EEP		23,000	16,800	13.0	11.0	3080603
	CT*F1824*6A*	G*E80704B**	23,000	16,800	14.0	11.6	3080604
	CT*F1824*6A*	G*V950704C**	23,000	16,800	14.0	11.6	3080606
	CT*F1824*6A*	G*V950453B**	23,000	16,800	14.0	11.6	3080607
	CT*F1824*6A*	G*VC950453BXA*	23,000	16,800	14.0	11.6	3598011
	CT*F1824*6A*	G*VC950704CXA*	23,000	16,800	14.0	11.6	3598203
	CT*F1824*6A*	G*E80703B**	23,000	16,800	14.0	11.6	3603127
	CT*F1824*6A*+EEP		23,000	16,800	13.0	11.0	3080608
	CT*F1824*6A*	MBE1200**-1	23,000	16,800	14.0	11.6	3080609
	CT*F1824*6A*	MBVC1200**-1A*	23,000	16,800	14.0	11.6	3609436

See Notes on Page 36.

AHRI PERFORMANCE RATINGS (CONT.)

OUTDOOR UNIT	INDOOR UNITS		COOLING CAPACITY (BTU/H)		SEER ¹	EER ²	AHRI #
	COILZ & AIR HANDLERS	FURNACE/ BLOWER	TOTAL	SENSIBLE			
GSX13 0301B*	ACNF30XX16A*		27,600	20,400	13.0	11.0	3185992
	ADPF304216B*		28,400	21,000	13.0	11.0	3185993
	AEPF183016C*		28,400	21,000	14.0	11.6	3185994
	AR*F182416B*+TXV		27,400	20,300	13.0	11.0	3185995
	AR*F303016B*		28,400	21,000	13.0	11.0	3185996
	ASPF183016B*		28,400	21,000	14.0	11.6	3185997
	AT*F182416A*+TXV		27,400	20,300	13.0	11.0	3185998
	AT*F303016A*		28,400	21,000	13.0	11.0	3185999
	AWUF30XX16A*		27,600	20,400	13.0	11.0	3186000
	AWUF30XX16B*		27,600	20,400	13.0	11.0	3287812
	AWUF36XX16A*		27,800	20,600	13.0	11.0	3186001
	AWUF36XX16B*		27,800	20,600	13.0	11.0	3287813
	AWUF37XX16A*		28,000	20,700	13.0	11.0	3186002
	AWUF37XX16B*		28,000	20,700	13.0	11.0	3287814
	CA*F3030*6B**	G*E80704B**	28,400	21,000	13.0	11.3	3186003
	CA*F3030*6B*	G*V90704C**	28,400	21,000	14.0	11.6	3186005
	CA*F3030*6B*	G*V950453B**	28,400	21,000	14.0	11.6	3186006
	CA*F3030*6B*	G*V950704C**	28,400	21,000	14.0	11.6	3186007
	CA*F3030*6B*	G*VC90704CXA*	28,400	21,000	14.0	11.6	3597665
	CA*F3030*6B*	G*VC950453BXA*	28,400	21,000	14.0	11.6	3598076
	CA*F3030*6B*	G*VC950704CXA*	28,400	21,000	14.0	11.6	3598307
	CA*F3030*6B*	G*E80703B**	28,400	21,000	13.0	11.3	3603136
	CA*F3030*6B*+EEP		28,400	21,000	13.0	11.0	3186008
	CA*F3131*6C*	G*E80704B**	28,600	21,200	14.0	11.6	3186009
	CA*F3131*6C*	G*V90704C**	28,600	21,200	14.0	11.6	3186011
	CA*F3131*6C*	G*V950453B**	28,600	21,200	14.0	11.6	3186012
	CA*F3131*6C*	G*V950704C**	28,600	21,200	14.0	11.6	3186013
	CA*F3131*6C*	G*VC90704CXA*	28,600	21,200	14.0	11.6	3597674
	CA*F3131*6C*	G*VC950453BXA*	28,600	21,200	14.0	11.6	3598085
	CA*F3131*6C*	G*VC950704CXA*	28,600	21,200	14.0	11.6	3598312
	CA*F3131*6C*	G*E80703B**	28,600	21,200	14.0	11.6	3603133
	CA*F3131*6C*+EEP		28,600	21,200	13.0	11.0	3186014
	CA*F3131*6C*	MBE1200**-1	28,400	21,000	14.0	11.6	3186015
	CA*F3131*6C*	MBVC1200**-1A*	28,400	21,000	14.0	11.6	3609437
	CHPF2430B6B*	G*E80704B**	28,400	21,000	14.0	11.6	3186016
	CHPF2430B6B*	G*V90704C**	28,400	21,000	14.0	11.6	3186018
	CHPF2430B6B*	G*V950453B**	28,400	21,000	14.0	11.6	3186019
	CHPF2430B6B*	G*VC90704CXA*	28,400	21,000	14.0	11.6	3597666
	CHPF2430B6B*	G*VC950453BXA*	28,400	21,000	14.0	11.6	3598077
	CHPF2430B6B*	G*E80703B**	28,400	21,000	14.0	11.6	3603137
	CHPF2430B6B*+EEP		28,400	21,000	13.0	11.0	3186020
	CHPF2430B6B*	MBE1200**-1A*	28,400	21,000	14.0	11.6	3186021
	CHPF2430B6C*	G*E80704B**	28,400	21,000	14.0	11.6	3299978
	CHPF2430B6C*	G*V90704C**	28,400	21,000	14.0	11.6	3299980
	CHPF2430B6C*	G*V950453B**	28,400	21,000	14.0	11.6	3299981
	CHPF2430B6C*	G*VC90704CXA*	28,400	21,000	14.0	11.6	3597667
	CHPF2430B6C*	G*VC950453BXA*	28,400	21,000	14.0	11.6	3598078
	CHPF2430B6C*	G*E80703B**	28,400	21,000	14.0	11.6	3603144
	CHPF2430B6C*+EEP		28,400	21,000	13.0	11.0	3299982
	CHPF2430B6C*	MBE1200**-1B*	28,400	21,000	14.0	11.6	3300151
	CHPF2430B6C*	MBVC1200**-1A*	28,400	21,000	14.0	11.6	3609438
	CSCF3036N6B*	G*E80704B**	28,400	21,000	14.0	11.6	3186022
	CSCF3036N6B*	G*V90704C**	28,400	21,000	14.0	11.6	3186024
	CSCF3036N6B*	G*V950453B**	28,400	21,000	14.0	11.6	3186025
	CSCF3036N6B*	G*VC90704CXA*	28,400	21,000	14.0	11.6	3597668
	CSCF3036N6B*	G*VC950453BXA*	28,400	21,000	14.0	11.6	3598079

See Notes on Page 36.

AHRI PERFORMANCE RATINGS (CONT.)

OUTDOOR UNIT	INDOOR UNITS		COOLING CAPACITY (BTU/H)		SEER ¹	EER ²	AHRI #
	COIL & AIR HANDLERS	FURNACE/ BLOWER	TOTAL	SENSIBLE			
GSX13 0301B* (cont.)	CSCF3036N6B*	G*E80703B**	28,400	21,000	14.0	11.6	3603131
	CSCF3036N6B*+EEP		28,400	21,000	13.0	11.0	3186026
	CT*F3030*6A*	G*E80704B**	28,400	21,000	13.5	11.3	3186027
	CT*F3030*6A*	G*V90704C**	28,400	21,000	14.0	11.6	3186029
	CT*F3030*6A*	G*V950453B**	28,400	21,000	14.0	11.6	3186030
	CT*F3030*6A*	G*V950704C**	28,400	21,000	14.0	11.6	3186031
	CT*F3030*6A*	G*VC90704CXA*	28,400	21,000	14.0	11.6	3597669
	CT*F3030*6A*	G*VC950453BXA*	28,400	21,000	14.0	11.6	3598080
	CT*F3030*6A*	G*VC950704CXA*	28,400	21,000	14.0	11.6	3598308
	CT*F3030*6A*	G*E80703B**	28,400	21,000	13.5	11.3	3603239
	CT*F3030*6A*+EEP		28,400	21,000	13.0	11.0	3186032
	CT*F3131*6A*	G*E80704B**	28,600	21,200	14.0	11.6	3186033
	CT*F3131*6A*	G*V90704C**	28,600	21,200	14.0	11.6	3186035
	CT*F3131*6A*	G*V950453B**	28,600	21,200	14.0	11.6	3186036
	CT*F3131*6A*	G*V950704C**	28,600	21,200	14.0	11.6	3186037
	CT*F3131*6A*	G*VC90704CXA*	28,600	21,200	14.0	11.6	3597675
	CT*F3131*6A*	G*VC950453BXA*	28,600	21,200	14.0	11.6	3598086
	CT*F3131*6A*	G*VC950704CXA*	28,600	21,200	14.0	11.6	3598313
	CT*F3131*6A*	G*E80703B**	28,600	21,200	14.0	11.6	3603134
	CT*F3131*6A*+EEP		28,600	21,200	13.0	11.0	3186038
	CT*F3131*6A*	MBE1200**-1	28,400	21,000	14.0	11.6	3186039
	CT*F3131*6A*	MBVC1200**-1A*	28,400	21,000	14.0	11.6	3609440
	GSX13 0361B*	ADPF304216B*		35,000	26,300	13.0	11.0
AEPF303616C*			35,000	26,300	14.0	11.6	3513820
AEPF313716A*			35,000	26,300	14.0	11.6	3513821
AR*F363616B*			34,400	25,800	13.0	11.0	3513822
AR*F364216B*			35,000	26,300	13.0	11.0	3513823
ASPF303616B*			35,000	26,300	14.0	11.6	3513824
ASPF313716A*			35,000	26,300	14.0	11.6	3513825
AT*F363616A*			34,400	25,800	13.0	11.0	3513826
AT*F364216A*			35,000	26,300	13.0	11.0	3513827
AWUF36XX16A*			33,400	25,100	13.0	11.0	3513828
AWUF36XX16B*			33,400	25,100	13.0	11.0	3513829
AWUF37XX16A*			34,000	25,500	13.0	11.0	3513830
AWUF37XX16B*			34,000	25,500	13.0	11.0	3513831
CA*F3636*6B*		G*E80704B**	35,000	26,300	13.5	11.3	3513832
CA*F3636*6B*		G*E80905C**	35,000	26,300	13.5	11.3	3513833
CA*F3636*6B*		G*V950905D**	35,000	26,300	13.5	11.3	3513834
CA*F3636*6B*		G*V951155D**	35,000	26,300	13.5	11.3	3513835
CA*F3636*6B*		G*VC950905DXA*	35,000	26,300	13.5	11.3	3598592
CA*F3636*6B*		G*VC951155DXA*	35,000	26,300	13.5	11.3	3598826
CA*F3636*6B*		G*E80703B**	35,000	26,300	13.5	11.3	3603227
CA*F3636*6B*+EEP			35,000	26,300	13.0	11.0	3539884
CA*F3636*6C*		G*E80704B**	35,000	26,300	13.5	11.3	3513836
CA*F3636*6C*		G*E80905C**	35,000	26,300	13.5	11.3	3513837
CA*F3636*6C*		G*V950905D**	35,000	26,300	13.5	11.3	3513838
CA*F3636*6C*		G*V951155D**	35,000	26,300	13.5	11.3	3513839
CA*F3636*6C*		G*VC950905DXA*	35,000	26,300	13.5	11.3	3598593
CA*F3636*6C*		G*VC951155DXA*	35,000	26,300	13.5	11.3	3598827
CA*F3636*6C*		G*E80703B**	35,000	26,300	13.5	11.3	3603218
CA*F3636*6C*+EEP			35,000	26,300	13.0	11.0	3539864
CA*F3642*6B*		G*E80704B**	35,400	26,600	14.0	11.6	3513840
CA*F3642*6B*		G*E80905C**	35,400	26,600	14.0	11.6	3513841
CA*F3642*6B*		G*V950905D**	35,400	26,600	14.0	11.6	3513842
CA*F3642*6B*	G*V951155D**	35,400	26,600	14.0	11.6	3513843	
CA*F3642*6B*	G*VC950905DXA*	35,400	26,600	14.0	11.6	3598612	

See Notes on Page 36.

AHRI PERFORMANCE RATINGS (CONT.)

OUTDOOR UNIT	INDOOR UNITS		COOLING CAPACITY (BTU/H)		SEER ¹	EER ²	AHRI #
	COILZ & AIR HANDLERS	FURNACE/ BLOWER	TOTAL	SENSIBLE			
GSX13 0361B* (cont.)	CA*F3642*6B*	G*VC951155DXA*	35,400	26,600	14.0	11.6	3598847
	CA*F3642*6B*	G*E80703B**	35,400	26,600	14.0	11.6	3603222
	CA*F3642*6B*	MBE1600**.-1B*	35,400	26,600	14.0	11.6	3513844
	CA*F3642*6C*	G*E80704B**	35,400	26,600	14.0	11.6	3513845
	CA*F3642*6C*	G*E80905C**	35,400	26,600	14.0	11.6	3513846
	CA*F3642*6C*	G*V950905D**	35,400	26,600	14.0	11.6	3513847
	CA*F3642*6C*	G*V951155D**	35,400	26,600	14.0	11.6	3513848
	CA*F3642*6C*	G*VC950905DXA*	35,400	26,600	14.0	11.6	3598613
	CA*F3642*6C*	G*VC951155DXA*	35,400	26,600	14.0	11.6	3598848
	CA*F3642*6C*	G*E80703B**	35,400	26,600	14.0	11.6	3603219
	CA*F3642*6C*	MBE1600**.-1B*	35,400	26,600	14.0	11.6	3513849
	CA*F3642*6C*	MBVC1600**.-1A*	35,400	26,600	14.0	11.6	3609441
	CA*F3743*6A*	G*E80704B**	35,400	26,600	14.0	11.6	3513850
	CA*F3743*6A*	G*E80905C**	35,400	26,600	14.0	11.6	3513851
	CA*F3743*6A*	G*V950905D**	35,400	26,600	14.0	11.6	3513852
	CA*F3743*6A*	G*V951155D**	35,400	26,600	14.0	11.6	3513853
	CA*F3743*6A*	G*VC950905DXA*	35,400	26,600	14.0	11.6	3598614
	CA*F3743*6A*	G*VC951155DXA*	35,400	26,600	14.0	11.6	3598849
	CA*F3743*6A*	G*E80703B**	35,400	26,600	14.0	11.6	3603214
	CA*F3743*6A*	MBE1600**.-1B*	35,400	26,600	14.0	11.6	3513854
	CA*F3743*6A*	MBVC1600**.-1A*	35,400	26,600	14.0	11.6	3609443
	CHPF3636B6B*	G*E80704B**	35,000	26,300	13.5	11.3	3513855
	CHPF3636B6B*	G*E80703B**	35,000	26,300	13.5	11.3	3603215
	CHPF3636B6B*+EEP		35,400	26,600	13.0	11.0	3539885
	CHPF3636B6C*	G*E80704B**	35,000	26,300	13.5	11.3	3513856
	CHPF3636B6C*	G*E80703B**	35,000	26,300	13.5	11.3	3603226
	CHPF3636B6C*+EEP		35,400	26,600	13.0	11.0	3539886
	CHPF3642C6B*	G*E80905C**	35,000	26,300	14.0	11.6	3513857
	CHPF3642C6B*+EEP		35,400	26,600	13.0	11.0	3539887
	CHPF3642C6B*	MBE1600**.-1B*	35,400	26,600	14.0	11.6	3513858
	CHPF3642C6C*	G*E80905C**	35,000	26,300	14.0	11.6	3513859
	CHPF3642C6C*+EEP		35,400	26,600	13.0	11.0	3539888
	CHPF3642C6C*	MBE1600**.-1B*	35,400	26,600	14.0	11.6	3513860
	CHPF3642C6C*	MBVC1600**.-1A*	35,400	26,600	14.0	11.6	3609444
	CHPF3642D6B*	G*V950905D**	35,000	26,300	14.0	11.6	3513861
	CHPF3642D6B*	G*V951155D**	35,000	26,300	14.0	11.6	3513862
	CHPF3642D6B*	G*VC950905DXA*	35,000	26,300	14.0	11.6	3598594
	CHPF3642D6B*	G*VC951155DXA*	35,000	26,300	14.0	11.6	3598828
	CHPF3642D6B*+EEP		35,400	26,600	13.0	11.0	3539889
	CHPF3642D6C*	G*V950905D**	35,000	26,300	14.0	11.6	3513863
	CHPF3642D6C*	G*V951155D**	35,000	26,300	14.0	11.6	3513864
	CHPF3642D6C*	G*VC950905DXA*	35,000	26,300	14.0	11.6	3598595
	CHPF3642D6C*	G*VC951155DXA*	35,000	26,300	14.0	11.6	3598829
	CHPF3642D6C*+EEP		35,400	26,600	13.0	11.0	3539890
	CSCF3036N6B*+EEP		35,000	26,300	13.0	11.0	3539891
	CSCF3642N6C*	G*E80704B**	35,400	26,600	14.0	11.6	3513865
	CSCF3642N6C*	G*E80905C**	35,400	26,600	14.0	11.6	3513866
	CSCF3642N6C*	G*V950905D**	35,400	26,600	14.0	11.6	3513867
	CSCF3642N6C*	G*V951155D**	35,400	26,600	14.0	11.6	3513868
	CSCF3642N6C*	G*VC950905DXA*	35,400	26,600	14.0	11.6	3598615
	CSCF3642N6C*	G*VC951155DXA*	35,400	26,600	14.0	11.6	3598850
	CSCF3642N6C*	G*E80703B**	35,400	26,600	14.0	11.6	3603220
CSCF3642N6C*+EEP		35,400	26,600	13.0	11.0	3539892	
CT*F3636*6A*	G*E80704B**	35,000	26,300	13.5	11.3	3513869	
CT*F3636*6A*	G*E80905C**	35,000	26,300	13.5	11.3	3513870	

See Notes on Page 36.

AHRI PERFORMANCE RATINGS (CONT.)

OUTDOOR UNIT	INDOOR UNITS		COOLING CAPACITY (BTU/H)		SEER ¹	EER ²	AHRI #
	COILZ & AIR HANDLERS	FURNACE/ BLOWER	TOTAL	SENSIBLE			
GSX13 0361B* (cont.)	CT*F3636*6A*	G*V950905D**	35,000	26,300	13.5	11.3	3513871
	CT*F3636*6A*	G*V951155D**	35,000	26,300	13.5	11.3	3513872
	CT*F3636*6A*	G*VC950905DXA*	35,000	26,300	13.5	11.3	3598596
	CT*F3636*6A*	G*VC951155DXA*	35,000	26,300	13.5	11.3	3598830
	CT*F3636*6A*	G*E80703B**	35,000	26,300	13.5	11.3	3603221
	CT*F3636*6A*+EEP		35,000	26,300	13.0	11.0	3539893
	CT*F3642*6A*	G*E80704B**	35,400	26,600	14.0	11.6	3513873
	CT*F3642*6A*	G*E80905C**	35,400	26,600	14.0	11.6	3513874
	CT*F3642*6A*	G*V950905D**	35,400	26,600	14.0	11.6	3513875
	CT*F3642*6A*	G*V951155D**	35,400	26,600	14.0	11.6	3513876
	CT*F3642*6A*	G*VC950905DXA*	35,400	26,600	14.0	11.6	3598616
	CT*F3642*6A*	G*VC951155DXA*	35,400	26,600	14.0	11.6	3598851
	CT*F3642*6A*	G*E80703B**	35,400	26,600	14.0	11.6	3603216
	CT*F3642*6A*	MBE1600**-1B*	35,400	26,600	14.0	11.6	3513877
	CT*F3642*6A*	MBVC1600**-1A*	35,400	26,600	14.0	11.6	3609445
GSX13 0421B*	ADPF304216B*		40,000	30,000	13.0	11.1	3513787
	AEPF426016C*		41,000	30,800	14.0	11.6	3513788
	AR*F364216B*		40,000	30,000	13.0	11.1	3513789
	ASPF426016B*		41,000	30,800	14.0	11.6	3513790
	AT*F364216A*		40,000	30,000	13.0	11.1	3513791
	CA*F3642*6B*	G*E80905C**	40,000	30,000	13.5	11.3	3513792
	CA*F3642*6B*+EEP		40,000	30,000	13.0	11.1	3539871
	CA*F3642*6C*	G*E80905C**	40,000	30,000	13.5	11.3	3513793
	CA*F3642*6C*+EEP		40,000	30,000	13.0	11.1	3539865
	CA*F3743*6A*	G*E80905C**	40,000	30,000	13.5	11.3	3513794
	CA*F3743*6A*+EEP		40,000	30,000	13.0	11.1	3539872
	CA*F4860*6B*	G*E80905C**	41,000	30,800	14.0	11.6	3513795
	CA*F4860*6B*	G*V950905D**	41,000	30,800	14.0	11.6	3513796
	CA*F4860*6B*	G*V951155D**	41,000	30,800	14.0	11.6	3513797
	CA*F4860*6B*	G*VC950905DXA*	41,000	30,800	14.0	11.6	3598646
	CA*F4860*6B*	G*VC951155DXA*	41,000	30,800	14.0	11.6	3598874
	CA*F4860*6B*+EEP		41,000	30,800	13.0	11.1	3539873
	CA*F4860*6B*	MBE1600**-1B*	41,000	30,800	14.0	11.6	3513798
	CA*F4860*6B*	MBVC1600**-1A*	41,000	30,800	14.0	11.6	3609446
	CHPF3642C6B*	G*E80905C**	40,000	30,000	13.5	11.3	3513799
	CHPF3642C6B*+EEP		40,000	30,000	13.0	11.1	3539874
	CHPF3642C6C*	G*E80905C**	40,000	30,000	13.5	11.3	3513800
	CHPF3642C6C*+EEP		40,000	30,000	13.0	11.1	3539875
	CHPF3642D6B*	G*V91155D**	40,000	30,000	13.5	11.3	3513801
	CHPF3642D6B*	G*V950905D**	40,000	30,000	13.5	11.3	3513802
	CHPF3642D6B*	G*VC91155DXA*	40,000	30,000	13.5	11.3	3597928
	CHPF3642D6B*	G*VC950905DXA*	40,000	30,000	13.5	11.3	3598630
	CHPF3642D6B*+EEP		40,000	30,000	13.0	11.1	3539876
	CHPF3642D6C*	G*V91155D**	40,000	30,000	13.5	11.3	3513803
	CHPF3642D6C*	G*V950905D**	40,000	30,000	13.5	11.3	3513804
	CHPF3642D6C*	G*VC91155DXA*	40,000	30,000	13.5	11.3	3597929
	CHPF3642D6C*	G*VC950905DXA*	40,000	30,000	13.5	11.3	3598631
	CHPF3642D6C*+EEP		40,000	30,000	13.0	11.1	3539877
	CHPF4860D6C*	G*E80905C**	41,000	30,800	14.0	11.6	3513805
	CHPF4860D6C*	G*V950905D**	41,000	30,800	14.0	11.6	3513806
CHPF4860D6C*	G*V951155D**	41,000	30,800	14.0	11.6	3513807	
CHPF4860D6C*	G*VC950905DXA*	41,000	30,800	14.0	11.6	3598647	
CHPF4860D6C*	G*VC951155DXA*	41,000	30,800	14.0	11.6	3598875	
CHPF4860D6C*+EEP		41,000	30,800	13.0	11.1	3539878	
CHPF4860D6D*	G*E80905C**	41,000	30,800	14.0	11.6	3513808	

See Notes on Page 36.

AHRI PERFORMANCE RATINGS (CONT.)

OUTDOOR UNIT	INDOOR UNITS		COOLING CAPACITY (BTU/H)		SEER ¹	EER ²	AHRI #
	COILZ & AIR HANDLERS	FURNACE/ BLOWER	TOTAL	SENSIBLE			
GSX13 0421B* (cont.)	CHPF4860D6D*	G*V950905D**	41,000	30,800	14.0	11.6	3513809
	CHPF4860D6D*	G*V951155D**	41,000	30,800	14.0	11.6	3513810
	CHPF4860D6D*	G*VC950905DXA*	41,000	30,800	14.0	11.6	3598648
	CHPF4860D6D*	G*VC951155DXA*	41,000	30,800	14.0	11.6	3598876
	CHPF4860D6D*+EEP		41,000	30,800	13.0	11.1	3539879
	CHPF4860D6D*	MBE1600**-1B*	41,000	30,800	14.0	11.6	3513811
	CHPF4860D6D*	MBVC1600**-1A*	41,000	30,800	14.0	11.6	3609448
	CSCF3642N6C*+EEP		40,000	30,000	13.0	11.5	3539880
	CSCF4860N6C*	G*E80905C**	41,000	30,800	14.0	11.6	3513812
	CSCF4860N6C*	G*V90905D**	41,000	30,800	14.0	11.3	3513813
	CSCF4860N6C*	G*V951155D**	41,000	30,800	14.0	11.3	3513814
	CSCF4860N6C*	G*VC90905DXA*	41,000	30,800	14.0	11.3	3597835
	CSCF4860N6C*	G*VC951155DXA*	41,000	30,800	14.0	11.3	3598877
	CSCF4860N6C*+EEP		41,000	30,800	13.0	11.1	3539881
	CT*F3642*6A*	G*E80905C**	40,000	30,000	13.5	11.3	3513815
	CT*F3642*6A*+EEP		40,000	30,000	13.0	11.1	3539882
	CT*F4860*6A*	G*E80905C**	41,000	30,800	14.0	11.6	3513816
	CT*F4860*6A*	G*V950905D**	41,000	30,800	14.0	11.6	3513817
	CT*F4860*6A*	G*V951155D**	41,000	30,800	14.0	11.6	3513818
	CT*F4860*6A*	G*VC950905DXA*	41,000	30,800	14.0	11.6	3598649
CT*F4860*6A*	G*VC951155DXA*	41,000	30,800	14.0	11.6	3598878	
CT*F4860*6A*+EEP		41,000	30,800	13.0	11.1	3539883	
CT*F4860*6A*	MBE1600**-1B*	41,000	30,800	14.0	11.6	3513819	
CT*F4860*6A*	MBVC1600**-1A*	41,000	30,800	14.0	11.6	3609449	
GSX13 0481A*	ADPF486016A*		46,000	34,500	13.0	11.3	1332845
	ADPF486016B*		46,000	34,500	13.0	11.3	1492502
	AEPF426016A*		46,000	34,500	14.0	11.6	1332846
	AEPF426016B*		46,000	34,500	14.0	11.6	1487023
	AEPF426016C*		46,000	34,500	14.0	11.6	3018419
	AR*F486016A*		46,000	34,500	13.0	11.3	1333055
	AR*F486016B*		46,000	34,500	13.0	11.3	1492503
	AR*F496116A*		46,000	34,500	13.0	11.3	3018288
	ASPF426016A*		46,000	34,500	14.0	11.6	1333084
	ASPF426016B*		46,000	34,500	14.0	11.6	1492504
	AT*F486016A*		46,000	34,500	13.0	11.3	1483513
	CA*F4860*6A*+EEP		46,000	34,500	13.0	11.3	1332847
	CA*F4860*6A*	MBE2000**-1	46,000	34,500	14.0	11.6	1332848
	CA*F4860*6A*+TXV	G*E80905C**	46,000	34,500	14.0	11.6	1332859
	CA*F4860*6A*+TXV	G*E81155C**	46,000	34,500	14.0	11.6	1332860
	CA*F4860*6A*+TXV	G*V90115D**	46,000	34,500	14.0	11.6	1332863
	CA*F4860*6A*+TXV	G*V90905D**	46,000	34,500	14.0	11.6	1332864
	CA*F4860*6A*+TXV	G*V950905D**	46,000	34,500	14.0	11.6	1332865
	CA*F4860*6A*+TXV	G*V951155D**	46,000	34,500	14.0	11.6	1332866
	CA*F4860*6A*+TXV	G*VC90905DXA*	46,000	34,500	14.0	11.6	3597866
	CA*F4860*6A*+TXV	G*VC91155DXA*	46,000	34,500	14.0	11.6	3597932
	CA*F4860*6A*+TXV	G*VC950905DXA*	46,000	34,500	14.0	11.6	3598686
	CA*F4860*6A*+TXV	G*VC951155DXA*	46,000	34,500	14.0	11.6	3598918
	CA*F4860*6B*+EEP		46,000	34,500	13.0	11.3	1333211
	CA*F4860*6B*	MBE2000**-1	46,000	34,500	14.0	11.6	1333158
	CA*F4860*6B*+TXV	G*E80905C**	46,000	34,500	14.0	11.6	1333212
	CA*F4860*6B*+TXV	G*E81155C**	46,000	34,500	14.0	11.6	1333213
	CA*F4860*6B*+TXV	G*V90115D**	46,000	34,500	14.0	11.6	1333216
CA*F4860*6B*+TXV	G*V90905D**	46,000	34,500	14.0	11.6	1333217	
CA*F4860*6B*+TXV	G*V950905D**	46,000	34,500	14.0	11.6	1333218	
CA*F4860*6B*+TXV	G*V951155D**	46,000	34,500	14.0	11.6	1333219	

See Notes on Page 36.

AHRI PERFORMANCE RATINGS (CONT.)

OUTDOOR UNIT	INDOOR UNITS		COOLING CAPACITY (BTU/H)		SEER ¹	EER ²	AHRI #
	COILZ & AIR HANDLERS	FURNACE/ BLOWER	TOTAL	SENSIBLE			
GSX13 0481A* (cont.)	CA*F4860*6B*+TXV	G*VC90905DXA*	46,000	34,500	14.0	11.6	3597867
	CA*F4860*6B*+TXV	G*VC91155DXA*	46,000	34,500	14.0	11.6	3597933
	CA*F4860*6B*+TXV	G*VC950905DXA*	46,000	34,500	14.0	11.6	3598687
	CA*F4860*6B*+TXV	G*VC951155DXA*	46,000	34,500	14.0	11.6	3598919
	CHPF4860D6A*+EEP		46,000	34,500	13.0	11.3	1332849
	CHPF4860D6A*	MBE2000** -1	46,000	34,500	14.0	11.6	1332850
	CHPF4860D6A*+TXV	G*E80905C**	46,000	34,500	14.0	11.6	1332867
	CHPF4860D6A*+TXV	G*E81155C**	46,000	34,500	14.0	11.6	1332868
	CHPF4860D6A*+TXV	G*V90115D**	46,000	34,500	14.0	11.6	1332871
	CHPF4860D6A*+TXV	G*V90905D**	46,000	34,500	14.0	11.6	1332872
	CHPF4860D6A*+TXV	G*V950905D**	46,000	34,500	14.0	11.6	1332873
	CHPF4860D6A*+TXV	G*V951155D**	46,000	34,500	14.0	11.6	1332874
	CHPF4860D6A*+TXV	G*VC90905DXA*	46,000	34,500	14.0	11.6	3597868
	CHPF4860D6A*+TXV	G*VC91155DXA*	46,000	34,500	14.0	11.6	3597934
	CHPF4860D6A*+TXV	G*VC950905DXA*	46,000	34,500	14.0	11.6	3598688
	CHPF4860D6A*+TXV	G*VC951155DXA*	46,000	34,500	14.0	11.6	3598920
	CHPF4860D6C*+EEP		46,000	34,500	13.0	11.3	1332851
	CHPF4860D6C*	MBE2000** -1	46,000	34,500	14.0	11.6	1333056
	CHPF4860D6C*+TXV	G*E80905C**	46,000	34,500	14.0	11.6	1332875
	CHPF4860D6C*+TXV	G*E81155C**	46,000	34,500	14.0	11.6	1332876
	CHPF4860D6C*+TXV	G*V90115D**	46,000	34,500	14.0	11.6	1332879
	CHPF4860D6C*+TXV	G*V90905D**	46,000	34,500	14.0	11.6	1332880
	CHPF4860D6C*+TXV	G*V950905D**	46,000	34,500	14.0	11.6	1332881
	CHPF4860D6C*+TXV	G*V951155D**	46,000	34,500	14.0	11.6	1332882
	CHPF4860D6C*+TXV	G*VC90905DXA*	46,000	34,500	14.0	11.6	3597869
	CHPF4860D6C*+TXV	G*VC91155DXA*	46,000	34,500	14.0	11.6	3597935
	CHPF4860D6C*+TXV	G*VC950905DXA*	46,000	34,500	14.0	11.6	3598689
	CHPF4860D6C*+TXV	G*VC951155DXA*	46,000	34,500	14.0	11.6	3598921
	CHPF4860D6D*+EEP		46,000	34,500	13.0	11.3	3300009
	CHPF4860D6D*	MBE2000** -1B*	46,000	34,500	14.0	11.6	3300154
	CHPF4860D6D*+TXV	G*E80905C**	46,000	34,500	14.0	11.6	3300010
	CHPF4860D6D*+TXV	G*E81155C**	46,000	34,500	14.0	11.6	3300011
	CHPF4860D6D*+TXV	G*V90905D**	46,000	34,500	14.0	11.6	3300014
	CHPF4860D6D*+TXV	G*V91155D**	46,000	34,500	14.0	11.6	3300015
	CHPF4860D6D*+TXV	G*V950905D**	46,000	34,500	14.0	11.6	3300016
	CHPF4860D6D*+TXV	G*V951155D**	46,000	34,500	14.0	11.6	3300017
	CHPF4860D6D*+TXV	G*VC90905DXA*	46,000	34,500	14.0	11.6	3597870
	CHPF4860D6D*+TXV	G*VC91155DXA*	46,000	34,500	14.0	11.6	3597936
	CHPF4860D6D*+TXV	G*VC950905DXA*	46,000	34,500	14.0	11.6	3598690
	CHPF4860D6D*+TXV	G*VC951155DXA*	46,000	34,500	14.0	11.6	3598922
	CSCF4860N6A*+EEP		46,000	34,500	13.0	11.3	1332852
	CSCF4860N6A*+TXV	G*E80905C**	46,000	34,500	14.0	11.6	1332883
	CSCF4860N6A*+TXV	G*E81155C**	46,000	34,500	14.0	11.6	1332884
	CSCF4860N6A*+TXV	G*V90115D**	46,000	34,500	14.0	11.6	1332887
	CSCF4860N6A*+TXV	G*V90905D**	46,000	34,500	14.0	11.6	1332888
	CSCF4860N6A*+TXV	G*V950905D**	46,000	34,500	14.0	11.6	1332889
	CSCF4860N6A*+TXV	G*V951155D**	46,000	34,500	14.0	11.6	1332890
	CSCF4860N6A*+TXV	G*VC90905DXA*	46,000	34,500	14.0	11.6	3597871
	CSCF4860N6A*+TXV	G*VC91155DXA*	46,000	34,500	14.0	11.6	3597937
	CSCF4860N6A*+TXV	G*VC950905DXA*	46,000	34,500	14.0	11.6	3598691
CSCF4860N6A*+TXV	G*VC951155DXA*	46,000	34,500	14.0	11.6	3598923	
CSCF4860N6C*+EEP		46,000	34,500	13.0	11.3	1333057	
CSCF4860N6C*+TXV	G*E80905C**	46,000	34,500	14.0	11.6	1333058	
CSCF4860N6C*+TXV	G*E81155C**	46,000	34,500	14.0	11.6	1333059	
CSCF4860N6C*+TXV	G*V90115D**	46,000	34,500	14.0	11.6	1333062	

See Notes on Page 36.

AHRI PERFORMANCE RATINGS (CONT.)

OUTDOOR UNIT	INDOOR UNITS		COOLING CAPACITY (BTU/H)		SEER ¹	EER ²	AHRI #
	COILZ & AIR HANDLERS	FURNACE/ BLOWER	TOTAL	SENSIBLE			
GSX13 0481A* (cont.)	CSCF4860N6C*+TXV	G*V90905D**	46,000	34,500	14.0	11.6	1333063
	CSCF4860N6C*+TXV	G*V950905D**	46,000	34,500	14.0	11.6	1333064
	CSCF4860N6C*+TXV	G*V951155D**	46,000	34,500	14.0	11.6	1333065
	CSCF4860N6C*+TXV	G*VC90905DXA*	46,000	34,500	14.0	11.6	3597872
	CSCF4860N6C*+TXV	G*VC91155DXA*	46,000	34,500	14.0	11.6	3597938
	CSCF4860N6C*+TXV	G*VC950905DXA*	46,000	34,500	14.0	11.6	3598692
	CSCF4860N6C*+TXV	G*VC951155DXA*	46,000	34,500	14.0	11.6	3598924
	CT*F4860*6A*+EEP		46,000	34,500	13.0	11.3	1449834
	CT*F4860*6A*	MBE2000**-1	46,000	34,500	14.0	11.6	1449835
	CT*F4860*6A*+TXV	G*E80905C**	46,000	34,500	14.0	11.6	1449836
	CT*F4860*6A*+TXV	G*E81155C**	46,000	34,500	14.0	11.6	1449837
	CT*F4860*6A*+TXV	G*V90905D**	46,000	34,500	14.0	11.6	1449840
	CT*F4860*6A*+TXV	G*V91155D**	46,000	34,500	14.0	11.6	1449841
	CT*F4860*6A*+TXV	G*V950905D**	46,000	34,500	14.0	11.6	1449842
	CT*F4860*6A*+TXV	G*V951155D**	46,000	34,500	14.0	11.6	1449843
	CT*F4860*6A*+TXV	G*VC90905DXA*	46,000	34,500	14.0	11.6	3597873
	CT*F4860*6A*+TXV	G*VC91155DXA*	46,000	34,500	14.0	11.6	3597939
	CT*F4860*6A*+TXV	G*VC950905DXA*	46,000	34,500	14.0	11.6	3598693
	CT*F4860*6A*+TXV	G*VC951155DXA*	46,000	34,500	14.0	11.6	3598925
GSX13 0481B*	ADPF486016B*		46,000	35,400	13.0	11.2	3513756
	AEPF426016C*		46,000	35,400	14.0	11.5	3513757
	AR*F486016B*		46,000	35,400	13.0	11.2	3513758
	AR*F496116A*		46,000	35,400	13.0	11.2	3513759
	ASPF426016B*		46,000	35,400	14.0	11.5	3513760
	AT*F486016A*		46,000	35,400	13.0	11.2	3513761
	CA*F4860*6B*+EEP		46,000	35,400	13.0	11.2	3539863
	CA*F4860*6B*	MBE2000**-1B*	46,000	35,400	14.0	11.5	3513762
	CA*F4860*6B*	MBVC2000**-1A*	46,000	35,400	14.0	11.5	3609451
	CA*F4860*6B*+TXV	G*E80905C**	46,000	35,400	14.0	11.5	3513763
	CA*F4860*6B*+TXV	G*E81155C**	46,000	35,400	14.0	11.5	3513764
	CA*F4860*6B*+TXV	G*V950905D**	46,000	35,400	14.0	11.5	3513765
	CA*F4860*6B*+TXV	G*V951155D**	46,000	35,400	14.0	11.5	3513766
	CA*F4860*6B*+TXV	G*VC950905DXA*	46,000	35,400	14.0	11.5	3598694
	CA*F4860*6B*+TXV	G*VC951155DXA*	46,000	35,400	14.0	11.5	3598926
	CHPF4860D6C*+EEP		46,000	35,400	13.0	11.2	3539867
	CHPF4860D6C*	MBE2000**-1B*	46,000	35,400	14.0	11.5	3513767
	CHPF4860D6C*+TXV	G*E80905C**	46,000	35,400	14.0	11.5	3513768
	CHPF4860D6C*+TXV	G*V950905D**	46,000	35,400	14.0	11.5	3513769
	CHPF4860D6C*+TXV	G*V951155D**	46,000	35,400	14.0	11.5	3513770
	CHPF4860D6C*+TXV	G*E81155C**	46,000	35,400	14.0	11.5	3513771
	CHPF4860D6C*+TXV	G*VC950905DXA*	46,000	35,400	14.0	11.5	3598695
	CHPF4860D6C*+TXV	G*VC951155DXA*	46,000	35,400	14.0	11.5	3598927
	CHPF4860D6D*+EEP		46,000	35,400	13.0	11.2	3539868
	CHPF4860D6D*	MBE2000**-1B*	46,000	35,400	14.0	11.5	3513772
	CHPF4860D6D*	MBVC2000**-1A*	46,000	35,400	14.0	11.5	3609452
	CHPF4860D6D*+TXV	G*V950905D**	46,000	35,400	14.0	11.5	3513773
	CHPF4860D6D*+TXV	G*V951155D**	46,000	35,400	14.0	11.5	3513774
	CHPF4860D6D*+TXV	G*E81155C**	46,000	35,400	14.0	11.5	3513775
	CHPF4860D6D*+TXV	G*E80905C**	46,000	35,400	14.0	11.5	3513776
	CHPF4860D6D*+TXV	G*VC950905DXA*	46,000	35,400	14.0	11.5	3598696
	CHPF4860D6D*+TXV	G*VC951155DXA*	46,000	35,400	14.0	11.5	3598928
	CSCF4860N6C*+EEP		46,000	35,400	13.0	11.2	3539869
CSCF4860N6C*+TXV	G*E81155C**	46,000	35,400	14.0	11.5	3513777	
CSCF4860N6C*+TXV	G*V950905D**	46,000	35,400	14.0	11.5	3513778	
CSCF4860N6C*+TXV	G*V951155D**	46,000	35,400	14.0	11.5	3513779	

See Notes on Page 36.

AHRI PERFORMANCE RATINGS (CONT.)

OUTDOOR UNIT	INDOOR UNITS		COOLING CAPACITY (BTU/H)		SEER ¹	EER ²	AHRI #
	COILZ & AIR HANDLERS	FURNACE/ BLOWER	TOTAL	SENSIBLE			
GSX13 0481B* (cont.)	CSCF4860N6C*+TXV	G*E80905C**	46,000	35,400	14.0	11.5	3513780
	CSCF4860N6C*+TXV	G*VC950905DXA*	46,000	35,400	14.0	11.5	3598697
	CSCF4860N6C*+TXV	G*VC951155DXA*	46,000	35,400	14.0	11.5	3598929
	CT*F4860*6A*+EEP		46,000	35,400	13.0	11.2	3539870
	CT*F4860*6A*	MBE2000**-1B*	46,000	35,400	14.0	11.5	3513781
	CT*F4860*6A*	MBVC2000**-1A*	46,000	35,400	14.0	11.5	3609453
	CT*F4860*6A*+TXV	G*E80905C**	46,000	35,400	14.0	11.5	3513782
	CT*F4860*6A*+TXV	G*E81155C**	46,000	35,400	14.0	11.5	3513783
	CT*F4860*6A*+TXV	G*V950905D**	46,000	35,400	14.0	11.5	3513784
	CT*F4860*6A*+TXV	G*V951155D**	46,000	35,400	14.0	11.5	3513785
	CT*F4860*6A*+TXV	G*VC950905DXA*	46,000	35,400	14.0	11.5	3598698
	CT*F4860*6A*+TXV	G*VC951155DXA*	46,000	35,400	14.0	11.5	3598930
	GSX13 0601A*	ADPF486016A*		57,000	39,900	13.0	11.1
ADPF486016B*			57,000	39,900	13.0	11.1	1492505
AEPF426016A*			57,000	39,900	13.5	11.4	1332854
AEPF426016B*			57,000	39,900	13.5	11.4	1487024
AEPF426016C*			57,000	39,900	13.5	11.4	3018420
AR*F486016A*			57,000	39,900	13.0	11.1	1333066
AR*F486016B*			57,000	39,900	13.0	11.1	1492506
AR*F496116A*			57,000	39,900	13.0	11.1	3018289
ASPF426016A*			57,000	39,900	13.5	11.4	1333085
ASPF426016B*			57,000	39,900	13.5	11.4	1492507
AT*F486016A*			57,000	39,900	13.0	11.1	1483514
CA*F4860*6A*+EEP			57,000	39,900	13.0	11.1	1332855
CA*F4860*6A*		MBE2000**-1	57,000	39,900	13.5	11.4	1333012
CA*F4860*6A*+TXV		G*E80905C**	57,000	39,900	13.5	11.4	1332891
CA*F4860*6A*+TXV		G*E81155C**	57,000	39,900	13.5	11.4	1332892
CA*F4860*6A*+TXV		G*V90905D**	57,000	39,900	13.5	11.4	1332895
CA*F4860*6A*+TXV		G*V950905D**	57,000	39,900	13.5	11.4	1332896
CA*F4860*6A*+TXV		G*V951155D**	57,000	39,900	13.5	11.4	1332897
CA*F4860*6A*+TXV		G*VC90905DXA*	57,000	39,900	13.5	11.4	3597898
CA*F4860*6A*+TXV		G*VC950905DXA*	57,000	39,900	13.5	11.4	3598726
CA*F4860*6A*+TXV		G*VC951155DXA*	57,000	39,900	13.5	11.4	3598963
CA*F4860*6B*+EEP			57,000	39,900	13.0	11.1	1333220
CA*F4860*6B*		MBE2000**-1	57,000	39,900	13.5	11.4	1333159
CA*F4860*6B*		MBVC2000**-1A*	57,000	39,900	13.5	11.4	3609454
CA*F4860*6B*+TXV		G*E80905C**	57,000	39,900	13.5	11.4	1333221
CA*F4860*6B*+TXV		G*E81155C**	57,000	39,900	13.5	11.4	1333222
CA*F4860*6B*+TXV		G*V90905D**	57,000	39,900	13.5	11.4	1333225
CA*F4860*6B*+TXV		G*V950905D**	57,000	39,900	13.5	11.4	1333226
CA*F4860*6B*+TXV		G*V951155D**	57,000	39,900	13.5	11.4	1333227
CA*F4860*6B*+TXV		G*VC90905DXA*	57,000	39,900	13.5	11.4	3597899
CA*F4860*6B*+TXV		G*VC950905DXA*	57,000	39,900	13.5	11.4	3598727
CA*F4860*6B*+TXV		G*VC951155DXA*	57,000	39,900	13.5	11.4	3598964
CHPF4860D6A*+EEP			57,000	39,900	13.0	11.1	1332856
CHPF4860D6A*		MBE2000**-1	57,000	39,900	13.5	11.4	1333013
CHPF4860D6A*+TXV		G*E80905C**	57,000	39,900	13.5	11.4	1332898
CHPF4860D6A*+TXV		G*E81155C**	57,000	39,900	13.5	11.4	1332899
CHPF4860D6A*+TXV		G*V90115D**	57,000	39,900	13.5	11.4	1332902
CHPF4860D6A*+TXV		G*V90905D**	57,000	39,900	13.5	11.4	1332903
CHPF4860D6A*+TXV		G*V951155D**	57,000	39,900	13.5	11.4	1332904
CHPF4860D6A*+TXV		G*VC90905DXA*	57,000	39,900	13.5	11.4	3597900

See Notes on Page 36.

AHRI PERFORMANCE RATINGS (CONT.)

OUTDOOR UNIT	INDOOR UNITS		COOLING CAPACITY (BTU/H)		SEER ¹	EER ²	AHRI #
	COILZ & AIR HANDLERS	FURNACE/ BLOWER	TOTAL	SENSIBLE			
GSX13 0601A* (cont.)	CHPF4860D6A*+TXV	G*VC91155DXA*	57,000	39,900	13.5	11.4	3597944
	CHPF4860D6A*+TXV	G*VC951155DXA*	57,000	39,900	13.5	11.4	3598965
	CHPF4860D6C*+EEP		57,000	39,900	13.0	11.1	1332857
	CHPF4860D6C*	MBE2000** -1	57,000	39,900	13.5	11.4	1333067
	CHPF4860D6C*+TXV	G*E80905C**	57,000	39,900	13.5	11.4	1332905
	CHPF4860D6C*+TXV	G*E81155C**	57,000	39,900	13.5	11.4	1332906
	CHPF4860D6C*+TXV	G*V90115D**	57,000	39,900	13.5	11.4	1332909
	CHPF4860D6C*+TXV	G*V90905D**	57,000	39,900	13.5	11.4	1332910
	CHPF4860D6C*+TXV	G*V951155D**	57,000	39,900	13.5	11.4	1332911
	CHPF4860D6C*+TXV	G*VC90905DXA*	57,000	39,900	13.5	11.4	3597901
	CHPF4860D6C*+TXV	G*VC91155DXA*	57,000	39,900	13.5	11.4	3597945
	CHPF4860D6C*+TXV	G*VC951155DXA*	57,000	39,900	13.5	11.4	3598966
	CHPF4860D6D*+EEP		57,000	39,900	13.0	11.1	3300018
	CHPF4860D6D*	MBE2000** -1B*	57,000	39,900	13.5	11.4	3300155
	CHPF4860D6D*	MBVC2000** -1A*	57,000	39,900	13.5	11.4	3609456
	CHPF4860D6D*+TXV	G*E80905C**	57,000	39,900	13.5	11.4	3300019
	CHPF4860D6D*+TXV	G*E81155C**	57,000	39,900	13.5	11.4	3300020
	CHPF4860D6D*+TXV	G*V90905D**	57,000	39,900	13.5	11.4	3300023
	CHPF4860D6D*+TXV	G*V91155D**	57,000	39,900	13.5	11.4	3300024
	CHPF4860D6D*+TXV	G*V951155D**	57,000	39,900	13.5	11.4	3300025
	CHPF4860D6D*+TXV	G*VC90905DXA*	57,000	39,900	13.5	11.4	3597902
	CHPF4860D6D*+TXV	G*VC91155DXA*	57,000	39,900	13.5	11.4	3597946
	CHPF4860D6D*+TXV	G*VC951155DXA*	57,000	39,900	13.5	11.4	3598967
	CSCF4860N6A*+EEP		57,000	39,900	13.0	11.4	1332858
	CSCF4860N6A*+TXV	G*E80905C**	57,000	39,900	13.5	11.4	1332912
	CSCF4860N6A*+TXV	G*E81155C**	57,000	39,900	13.5	11.4	1332913
	CSCF4860N6A*+TXV	G*V90905D**	57,000	39,900	13.5	11.4	1332916
	CSCF4860N6A*+TXV	G*V90115D**	57,000	39,900	13.5	11.4	1333002
	CSCF4860N6A*+TXV	G*V951155D**	57,000	39,900	13.5	11.4	1333003
	CSCF4860N6A*+TXV	G*VC90905DXA*	57,000	39,900	13.5	11.4	3597903
	CSCF4860N6A*+TXV	G*VC91155DXA*	57,000	39,900	13.5	11.4	3597947
	CSCF4860N6A*+TXV	G*VC951155DXA*	57,000	39,900	13.5	11.4	3598968
	CSCF4860N6C*+EEP		57,000	39,900	13.0	11.4	1333068
	CSCF4860N6C*+TXV	G*E80905C**	57,000	39,900	13.5	11.4	1333069
	CSCF4860N6C*+TXV	G*E81155C**	57,000	39,900	13.5	11.4	1333070
	CSCF4860N6C*+TXV	G*V90115D**	57,000	39,900	13.5	11.4	1333073
	CSCF4860N6C*+TXV	G*V90905D**	57,000	39,900	13.5	11.4	1333074
	CSCF4860N6C*+TXV	G*V951155D**	57,000	39,900	13.5	11.4	1333075
	CSCF4860N6C*+TXV	G*VC90905DXA*	57,000	39,900	13.5	11.4	3597904
	CSCF4860N6C*+TXV	G*VC91155DXA*	57,000	39,900	13.5	11.4	3597948
	CSCF4860N6C*+TXV	G*VC951155DXA*	57,000	39,900	13.5	11.4	3598969
	CT*F4860*6A*+EEP		57,000	39,900	13.0	11.1	1449844
	CT*F4860*6A*	MBE2000** -1	57,000	39,900	13.5	11.4	1449845
	CT*F4860*6A*	MBVC2000** -1A*	57,000	39,900	13.5	11.4	3609457
	CT*F4860*6A*+TXV	G*E80905C**	57,000	39,900	13.5	11.4	1449846
	CT*F4860*6A*+TXV	G*E81155C**	57,000	39,900	13.5	11.4	1449847
	CT*F4860*6A*+TXV	G*V90905D**	57,000	39,900	13.5	11.4	1449850
	CT*F4860*6A*+TXV	G*V950905D**	57,000	39,900	13.5	11.4	1449851
CT*F4860*6A*+TXV	G*V951155D**	57,000	39,900	13.5	11.4	1449852	
CT*F4860*6A*+TXV	G*VC90905DXA*	57,000	39,900	13.5	11.4	3597905	
CT*F4860*6A*+TXV	G*VC950905DXA*	57,000	39,900	13.5	11.4	3598728	
CT*F4860*6A*+TXV	G*VC951155DXA*	57,000	39,900	13.5	11.4	3598970	

See Notes on Page 36.

AHRI PERFORMANCE RATINGS (CONT.)

OUTDOOR UNIT	INDOOR UNITS		COOLING CAPACITY (BTU/H)		SEER ¹	EER ²	AHRI #
	COILZ & AIR HANDLERS	FURNACE/ BLOWER	TOTAL	SENSIBLE			
GSX13 0601B*	ADPF486016B*		57,000	41,000	13	11.1	3688567
	AEPF426016C*		57,500	41,400	13.4	11.3	3688568
	AR*F486016B*		56,000	40,300	13	11.1	3688569
	AR*F496116A*		57,000	41,000	13	11.1	3688570
	ASPF426016B*		57,500	41,400	13.4	11.4	3688571
	CA*F4860*6B*+EEP		55,500	40,000	13	11	3688544
	CA*F4860*6B*	MBE2000**-1B*	56,500	40,700	13.5	11.5	3688564
	CA*F4860*6B*+TXV	MBE2000**-1B*	56,000	40,300	13.7	11.5	3688572
	CA*F4860*6B*	MBVC2000**-1A*	56,500	40,700	13.5	11.5	3688565
	CA*F4860*6B*+TXV	MBVC2000**-1A*	56,000	40,300	13.7	11.5	3688573
	CA*F4860*6B*+TXV	G*E80905C*	55,500	40,000	13.4	11.3	3688547
	CA*F4860*6B*+TXV	G*VC80905C**	56,000	40,300	13.5	11.4	3688553
	CA*F4860*6B*+TXV	G*VC951155DXA*	55,000	39,600	13.05	11	3688561
	CA*F4860*6B*+TXV	G*VC81155C**	56,000	40,300	13.5	11.4	3688556
	CA*F4860*6B*+TXV	G*E81155C*	55,500	40,000	13.4	11.3	3688550
	CA*F4961*6A*+EEP		57,000	41,000	13	11.1	3688545
	CA*F4961*6A*	MBE2000**-1B*	57,500	41,400	13.7	11.6	3688598
	CA*F4961*6A*+TXV	MBE2000**-1B*	57,500	41,400	13.8	11.6	3688574
	CA*F4961*6A*	MBVC2000**-1A*	57,500	41,400	13.7	11.6	3688566
	CA*F4961*6A*+TXV	MBVC2000**-1A*	57,500	41,400	13.8	11.6	3688575
	CA*F4961*6A*+TXV	G*VC81155C**	57,000	41,000	13.5	11.3	3688557
	CA*F4961*6A*+TXV	G*VC950905DXA*	56,500	40,700	13	11	3688559
	CA*F4961*6A*+TXV	G*VC80905C**	57,000	41,000	13.6	11.4	3688554
	CA*F4961*6A*+TXV	G*VC951155DXA*	56,000	40,300	13.4	11.2	3688562
	CA*F4961*6A*+TXV	G*E81155C*	57,000	41,000	13.5	11.5	3688551
	CA*F4961*6A*+TXV	G*E80905C*	57,000	41,000	13.6	11.5	3688548
	CHPF4860D6D*+EEP		57,000	41,000	13	11.1	3688576
	CHPF4860D6D*	MBE2000**-1B*	57,000	41,000	13.7	11.5	3688577
	CHPF4860D6D*+TXV	MBE2000**-1B*	57,000	41,000	13.8	11.7	3688585
	CHPF4860D6D*	MBVC2000**-1A*	57,000	41,000	13.7	11.5	3688578
	CHPF4860D6D*+TXV	MBVC2000**-1A*	57,000	41,000	13.8	11.7	3688586
	CHPF4860D6D*+TXV	G*VC950905DXA*	57,000	41,000	13.2	11	3688583
	CHPF4860D6D*+TXV	G*VC951155DXA*	56,500	40,700	13.4	11.3	3688584
	CHPF4860D6D*+TXV	G*E80905C*	57,000	41,000	13.7	11.5	3688579
	CHPF4860D6D*+TXV	G*E81155C*	57,000	41,000	13.7	11.5	3688580
	CHPF4860D6D*+TXV	G*VC80905C**	57,000	41,000	13.5	11.5	3688581
	CHPF4860D6D*+TXV	G*VC81155C**	57,000	41,000	13.5	11.4	3688582
	CSCF4860N6A*+EEP		57,000	41,000	13	11.2	3688546
	CSCF4860N6A*+TXV	G*VC950905DXA*	57,000	41,000	13.4	11	3688560
	CSCF4860N6A*+TXV	G*VC81155C**	57,000	41,000	13.7	11.5	3688558
	CSCF4860N6A*+TXV	G*VC80905C**	57,000	41,000	13.7	11.5	3688555
	CSCF4860N6A*+TXV	G*VC951155DXA*	56,000	40,300	13.4	11.3	3688563
CSCF4860N6A*+TXV	G*E80905C*	57,000	41,000	13.7	11.5	3688549	
CSCF4860N6A*+TXV	G*E81155C*	57,000	41,000	13.7	11.5	3688552	
CSCF4860N6C*	MBE2000**-1B*	57,000	41,000	14	12	3688599	
CSCF4860N6C*+TXV	MBE2000**-1B*	57,000	41,000	14	12	3688596	
CSCF4860N6C*	MBVC2000**-1A*	57,000	41,000	14	12	3688595	
CSCF4860N6C*+TXV	MBVC2000**-1A*	57,000	41,000	14	12	3688597	

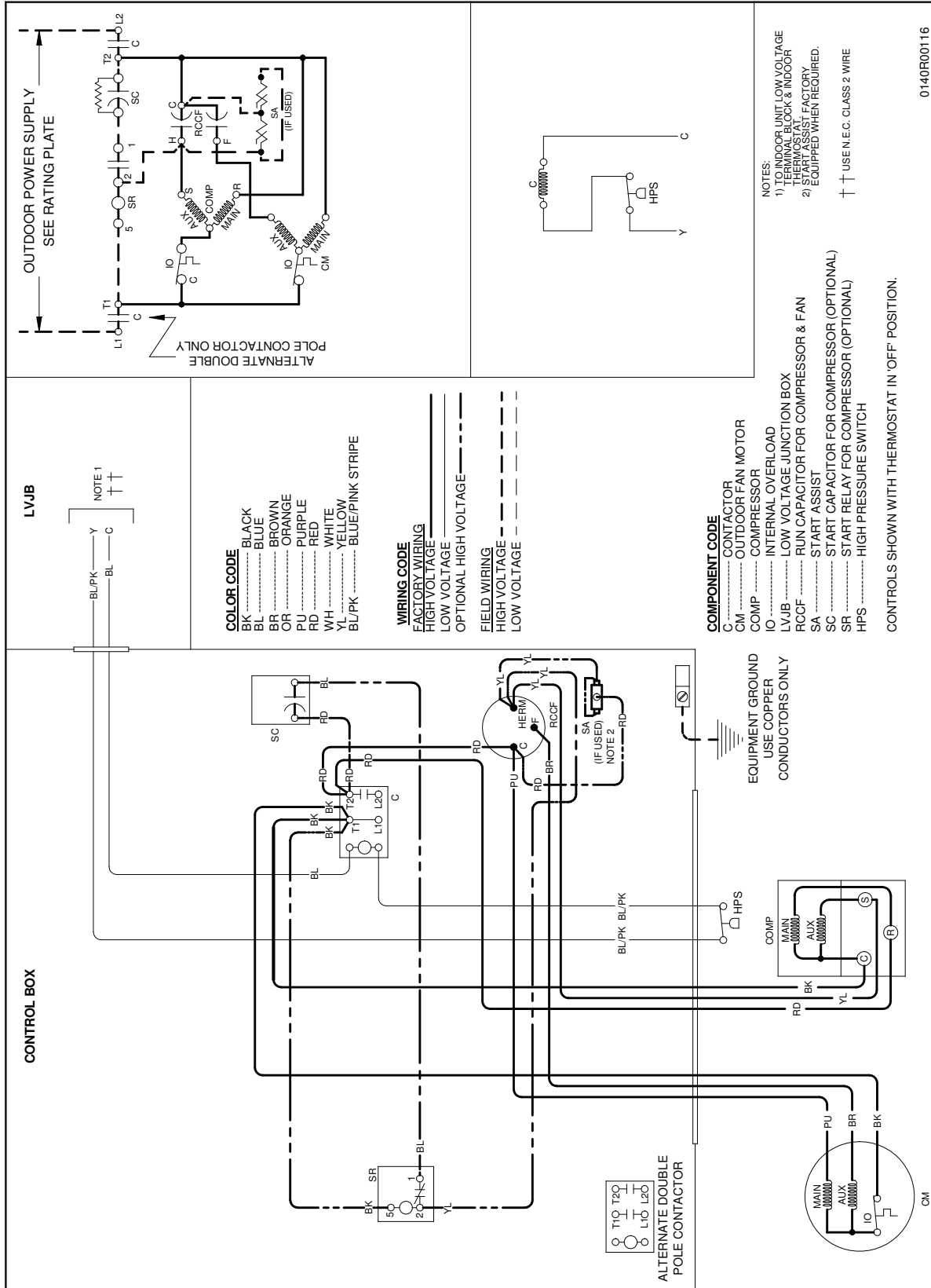
¹ Seasonal Energy Efficiency Ratio; Certified per AHRI 210/240 @ 80°F/ 67°F/ 95°F

² Energy Efficiency Ratio @ 80°F/ 67°F/ 95°F

NOTES

- Always check the S&R plate for electrical data on the unit being installed.
- When matching the outdoor unit to the indoor unit, use the piston supplied with the outdoor unit or that specified on the piston kit chart supplied with the indoor unit.
- EEP - Order from Service Dept. Part No. B13707-38 or new Solid State Board B13707-35S. Part No. B13707-38 is not interchangeable with B13707-35S. The Goodman Gas Furnace contains the EEP cooling time delay

WIRING DIAGRAM — GSX130(18-60)1A

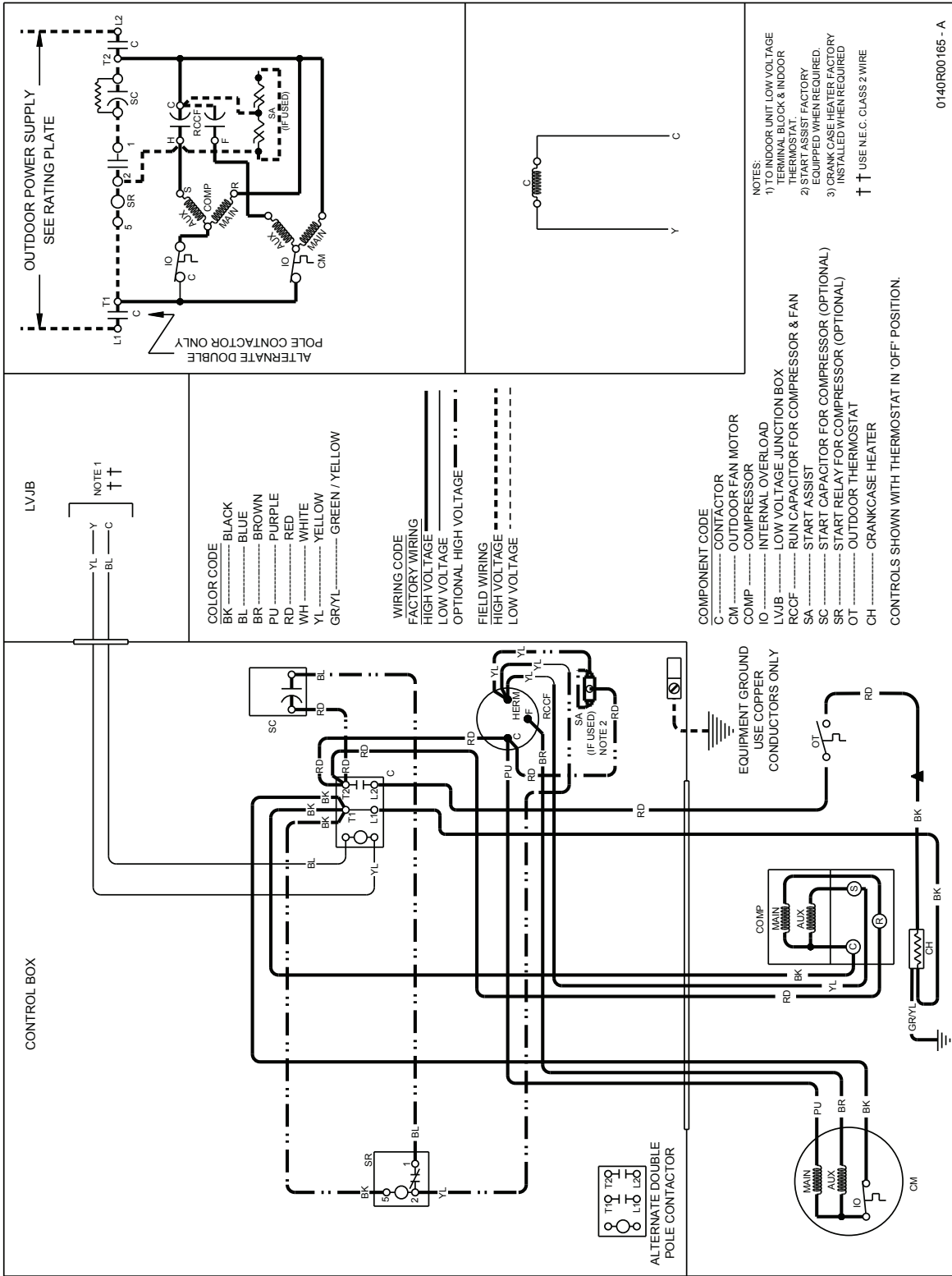


WARNING

⚡

High Voltage: Disconnect all power before servicing or installing this unit. Multiple power sources may be present. Failure to do so may cause property damage, personal injury, or death.

WIRING DIAGRAM — GSX130181C*



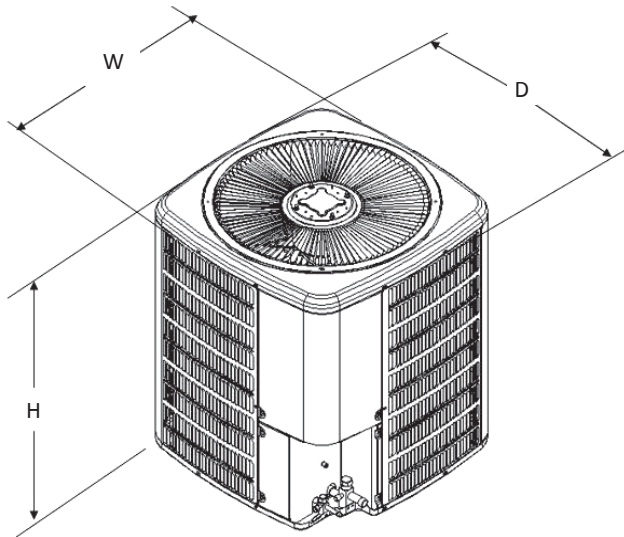
WARNING

⚠

High Voltage: Disconnect all power before servicing or installing this unit. Multiple power sources may be present. Failure to do so may cause property damage, personal injury, or death.

Wiring is subject to change. Always refer to the wiring diagram or the unit for the most up-to-date wiring.

DIMENSIONS



MODEL	DIMENSIONS		
	W"	D"	H"
GSX130181B*	26"	26"	27½"
GSX130181C*	26"	26"	27½"
GSX130241A*	26"	26"	32¼"
GSX130241B*	26"	26"	27½"
GSX130301A*	26"	26"	32¼"
GSX130301B*	26"	26"	27½"
GSX130361A*	29"	29"	32¼"
GSX130361B*	29"	29"	28¾"
GSX130421A*	29"	29"	34¼"
GSX130421B*	29"	29"	36¼"
GSX130481A*	29"	29"	38¼"
GSX130481B*	29"	29"	36¼"
GSX130601A*	35½"	35½"	38¼"
GSX130601B*	29"	29"	40"

ACCESSORIES

MODEL #	DESCRIPTION	GSX13 018A*/B*	GSX13 0181C*	GSX13 024*	GSX13 030*	GSX13 036*	GSX13 042*	GSX13 048*	GSX13 060*
ABK-20	Anchor Bracket Kit *	X	X	X	X	X	X	X	X
ASC-01	Anti-Short Cycle Kit	X	X	X	X	X	X	X	X
CSR-U-1	Hard-start Kit	X		X	X	X			
CSR-U-2	Hard-start Kit		X				X	X	X
CSR-U-3	Hard-start Kit							X	X
FSK01A ¹	Freeze Protection Kit	X	X	X	X	X	X	X	X
LSK01A ²	Liquid Line Solenoid Kit	X	X	X	X	X	X	X	X
TX2N4 ²	TXV Kit	X	X						
TX2N4A ²	TXV Kit	X	X	X					
TX3N4 ²	TXV Kit				X	X			
TX5N4 ²	TXV Kit						X	X	X

* Contains 20 brackets; four brackets needed to anchor unit to pad

¹ Installed on indoor coil

² Field-installed, non-bleed, expansion valve kit — Condensing units and heat pumps with reciprocating compressors require the use of start-assist components when used in conjunction with an indoor coil using a non-bleed thermal expansion valve refrigerant metering device or liquid line solenoid kit. The TXV should always be sized based on the tonnage of the outdoor unit.

